

Swan chair instruction



A



M6*35MM
/3PCS

B



M8
/3PCS

C



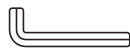
Φ8*22*1.5MM
/3PCS

D



Φ6*15*1MM
/6PCS

E



M5
/1PC

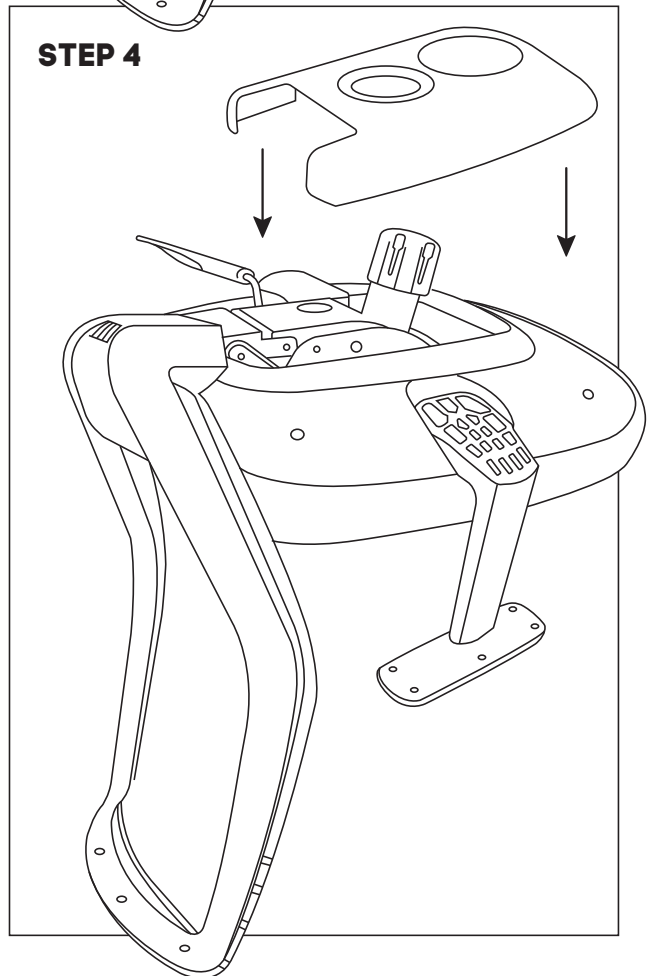
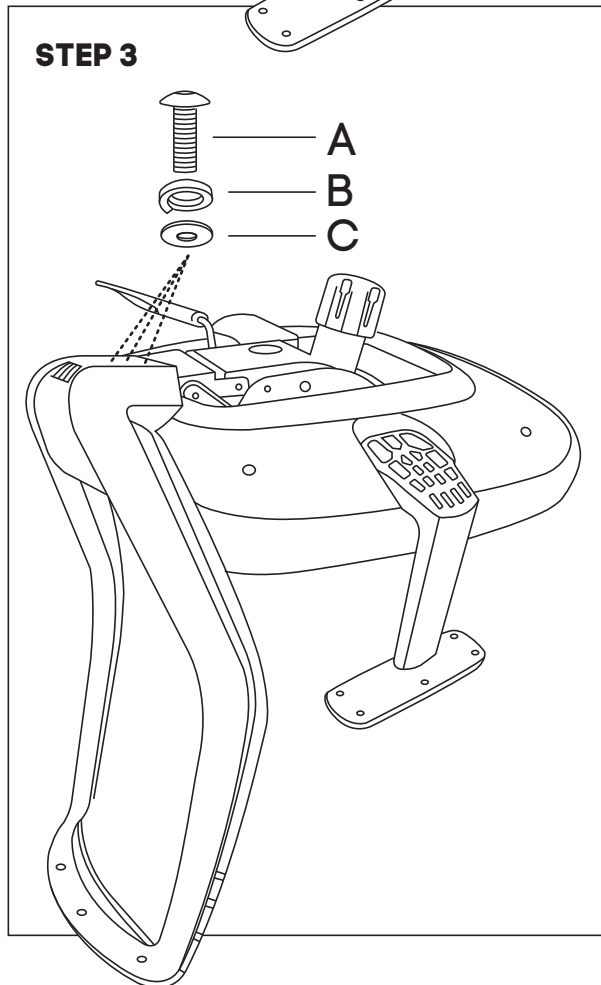
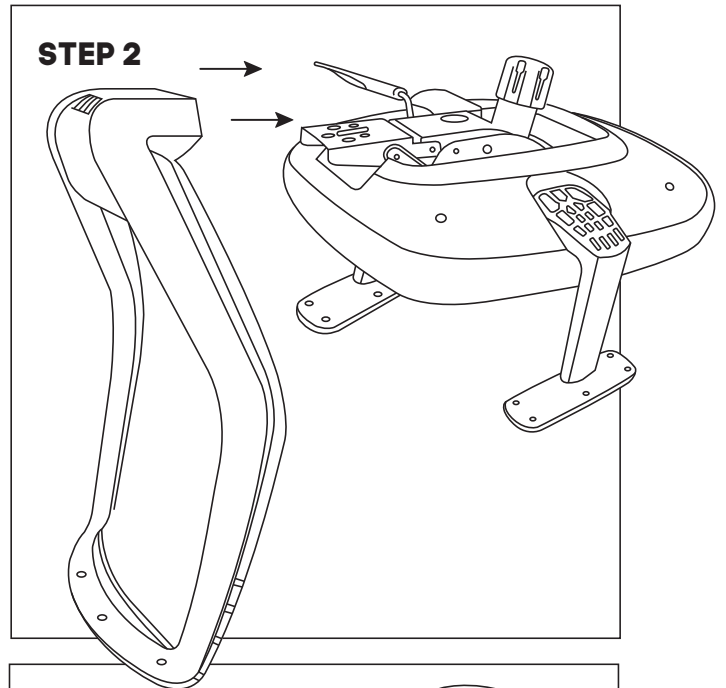
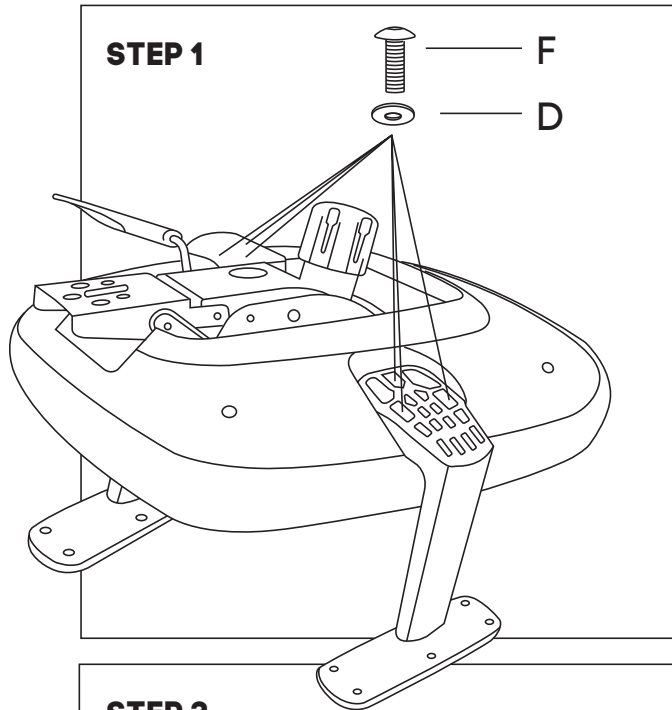
F



M6*40MM
/6PCS



Swan chair instruction



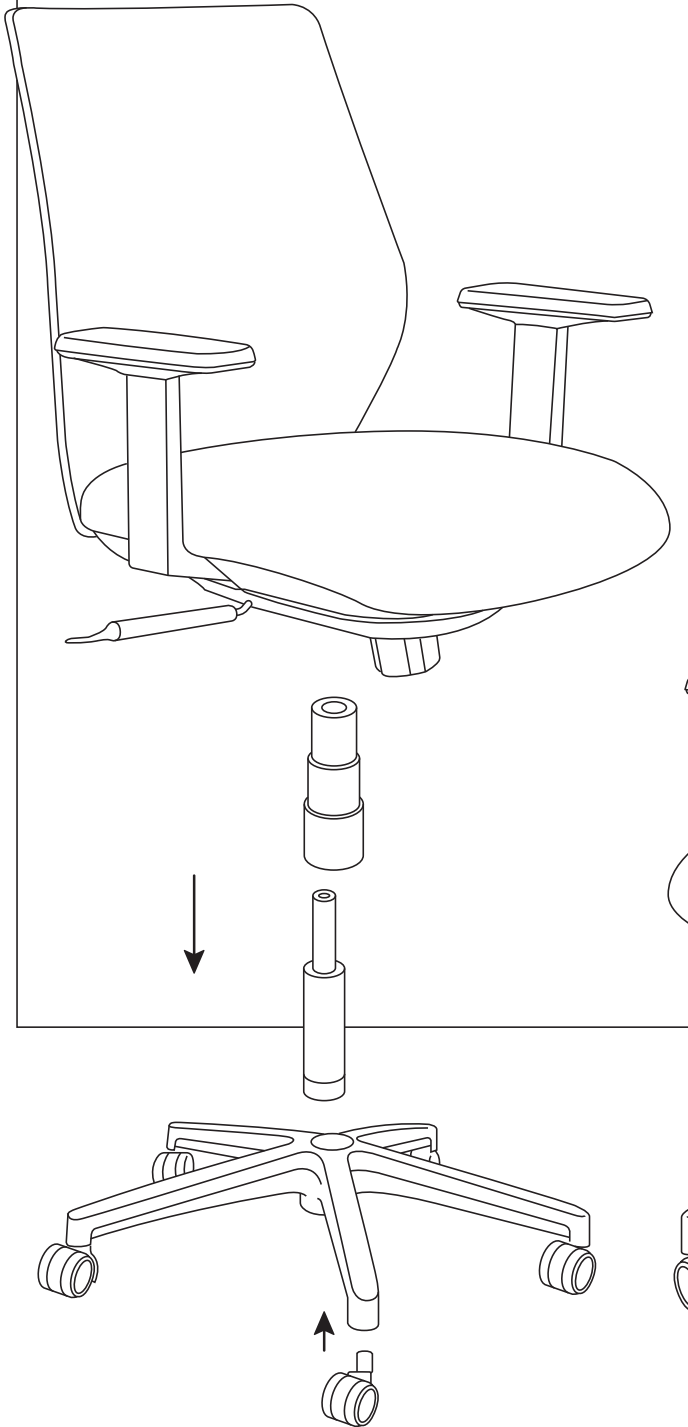
www.jasonl.com.au

jason.l 
your office furniture mate

Need help!
Call us on
1300 527 665

Swan chair instruction

STEP 5



jason.l
your office furniture mate



www.jasonl.com.au

Need help!
Call us on
1300 527 665