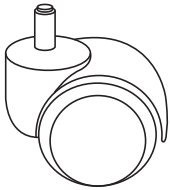
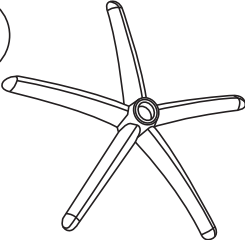
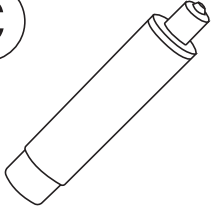
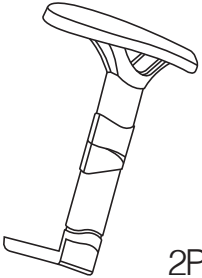
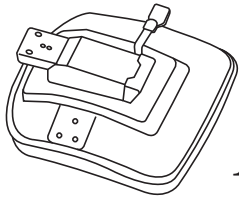
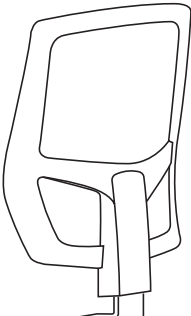
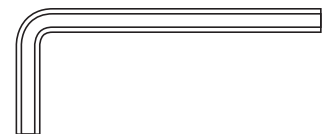
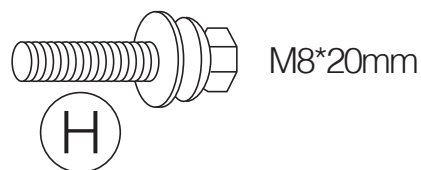
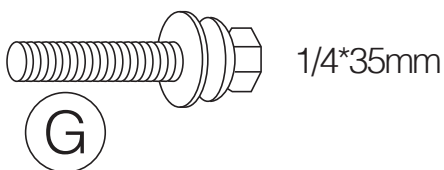


Shrike chair instruction



<p>A</p>  <p>5PCS</p>	<p>B</p>  <p>1PC</p>	<p>C</p>  <p>1PC</p>
<p>D</p>  <p>2PC</p>	<p>E</p>  <p>1PC</p>	<p>F</p>  <p>1PC</p>



jason.l
your office furniture mate

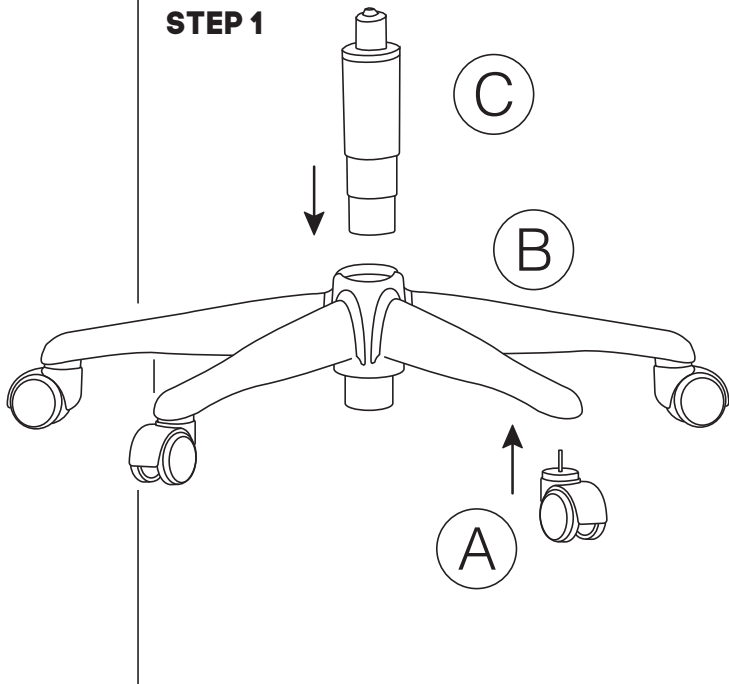


www.jasonl.com.au

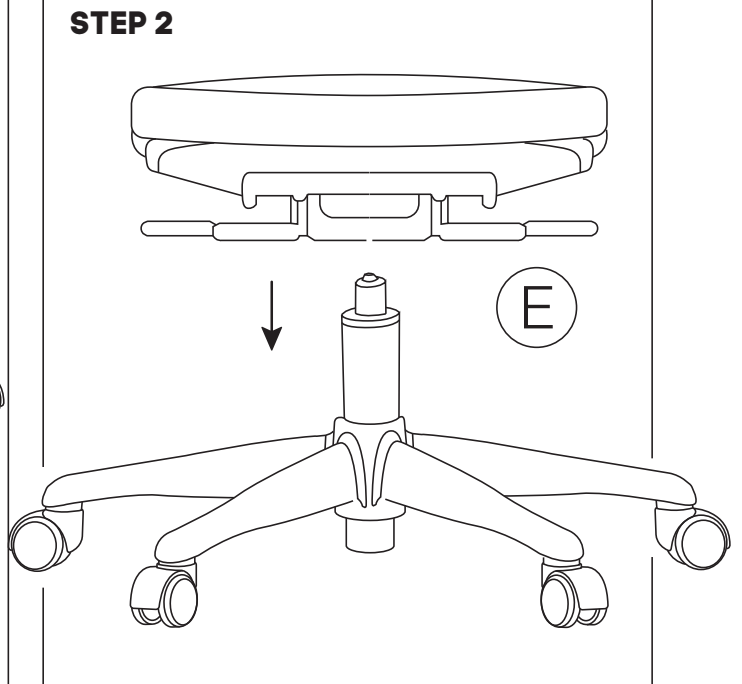
Need help!
Call us on
1300 527 665

Shrike chair instruction

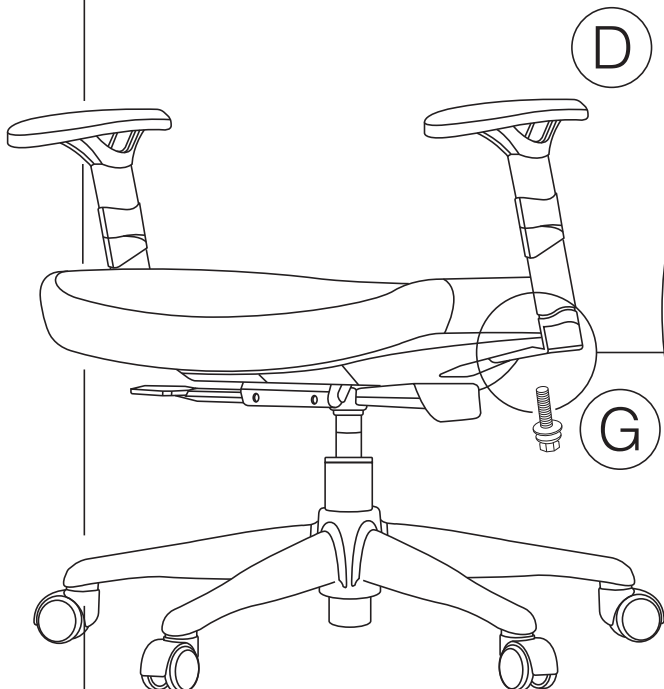
STEP 1



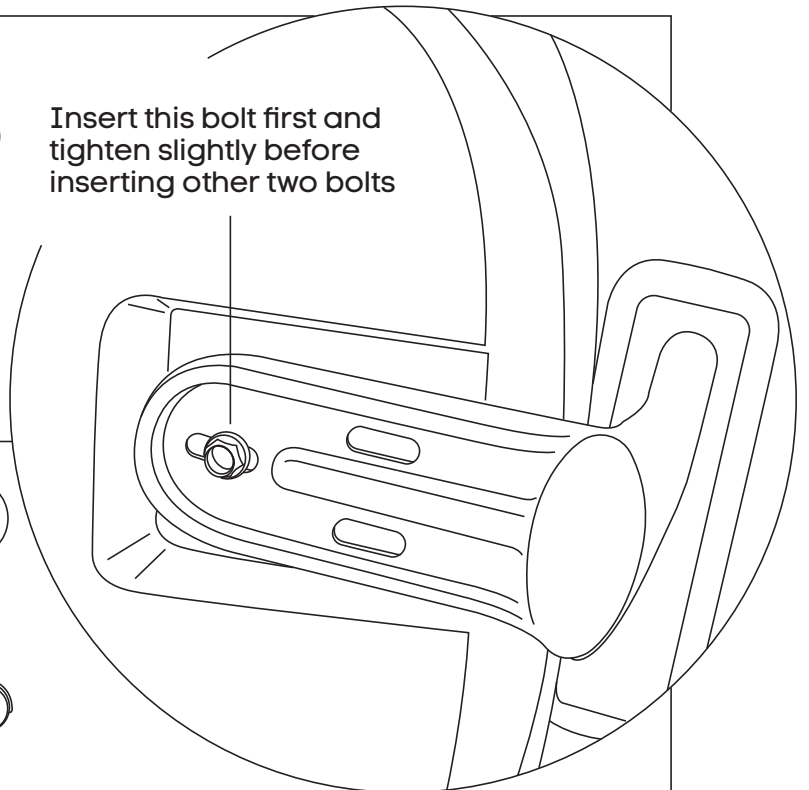
STEP 2



STEP 3



Insert this bolt first and tighten slightly before inserting other two bolts



Bottom view

jason.l
your office furniture mate

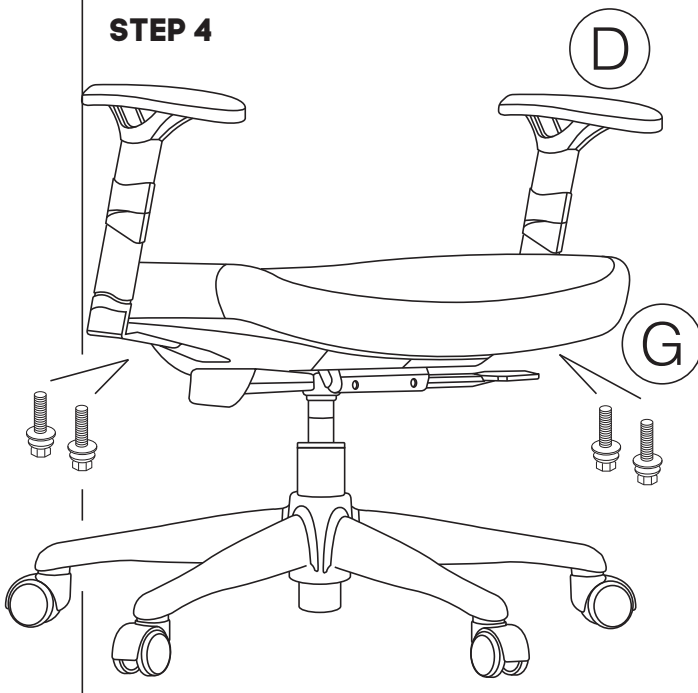


www.jasonl.com.au

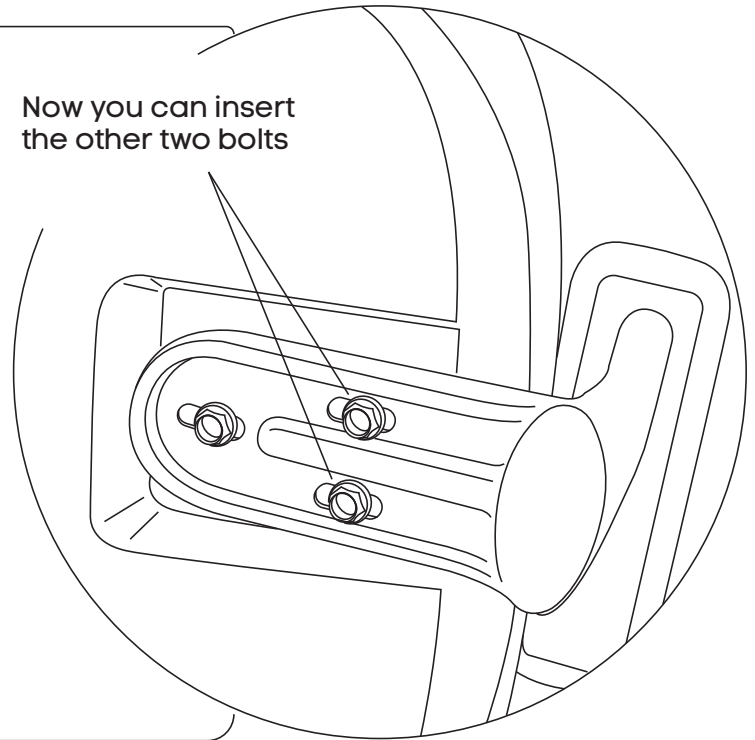
Need help!
Call us on
1300 527 665

Shrike chair instruction

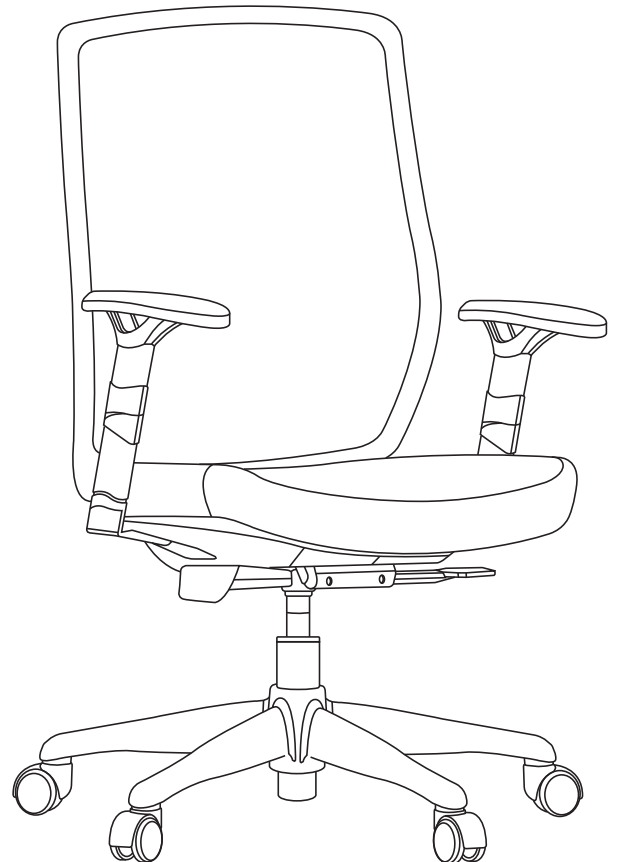
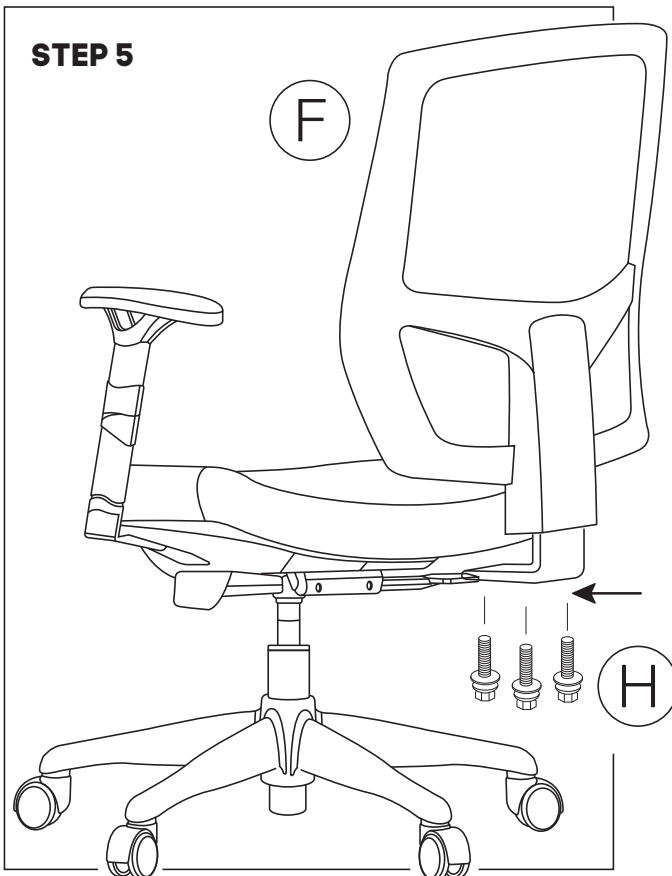
STEP 4



Now you can insert the other two bolts



STEP 5



www.jasonl.com.au

jason.l
your office furniture mate



Need help!
Call us on
1300 527 665