

ASSEMBLY INSTRUCTIONS

Quadro A Desk

www.jasonl.com.au

Need help!

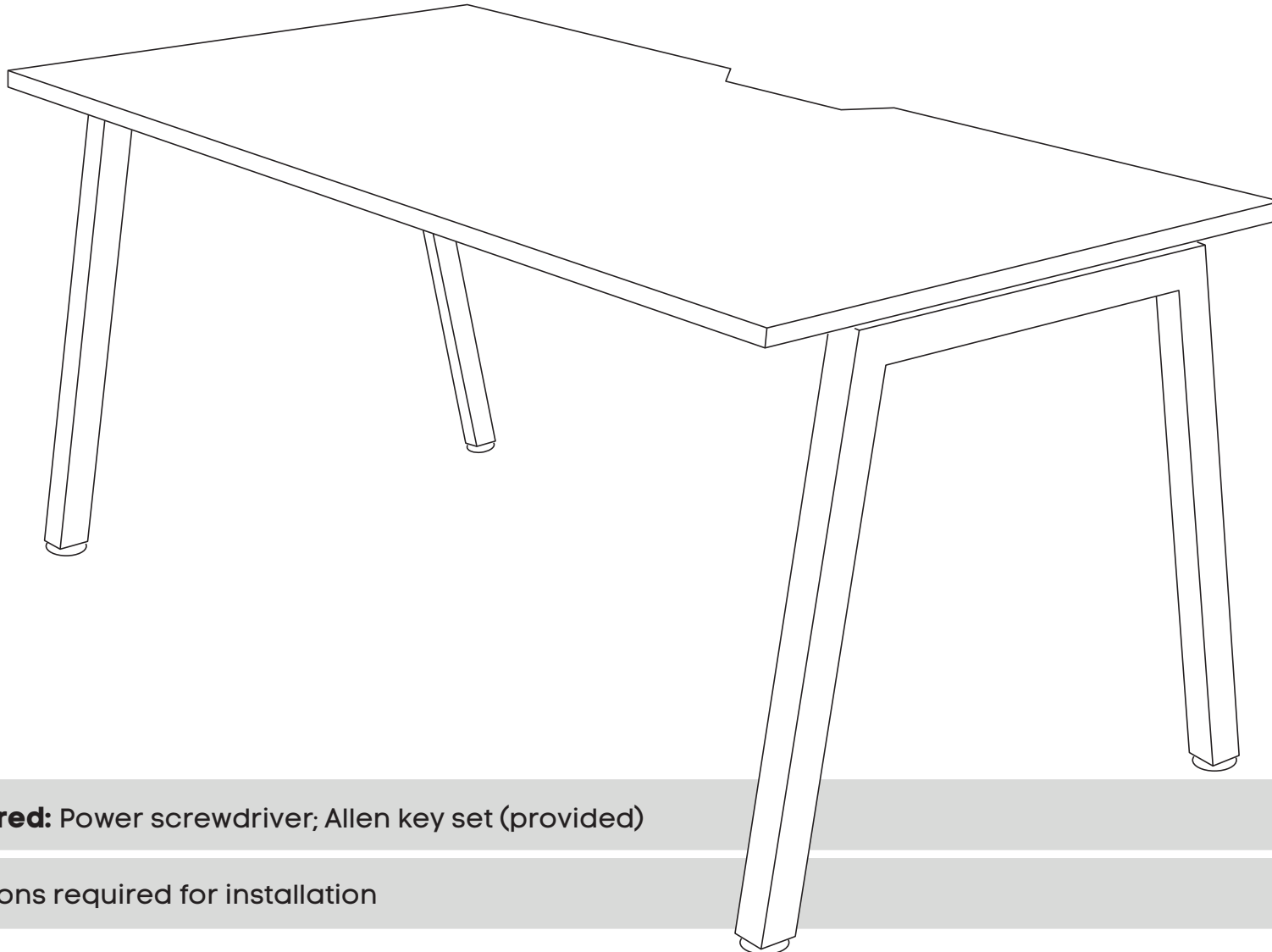
Call us on
1300 527 665

jason.l
your office furniture mate




Sizes:

1200x800, 1400x800, 1600x800 and 1800x800



Tools Required: Power screwdriver; Allen key set (provided)

 2 persons required for installation

ASSEMBLY INSTRUCTIONS

Quadro A Desk

www.jasonl.com.au

Need help!

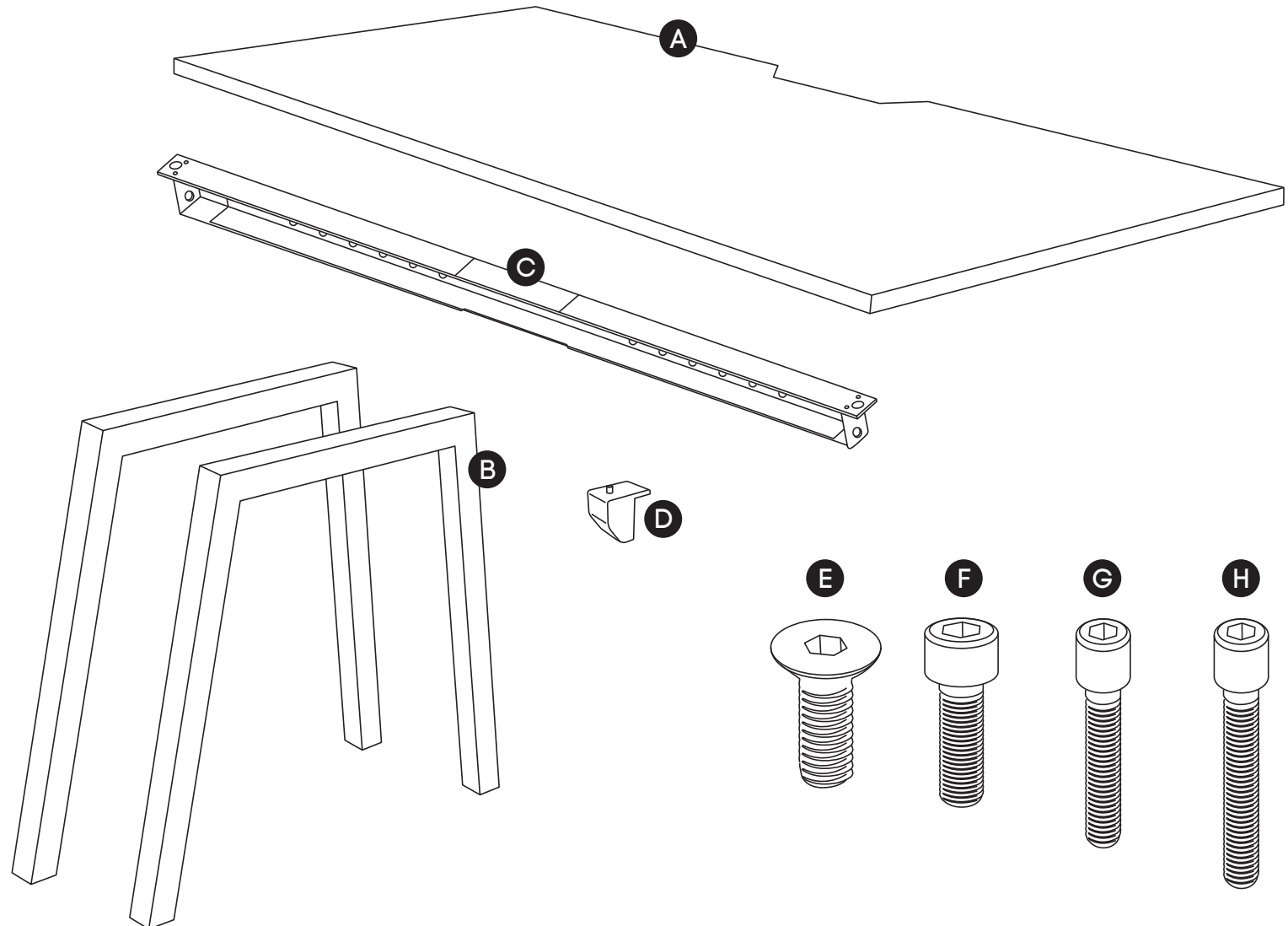
Call us on
1300 527 665

jason.l
your office furniture mate



Sizes:

1200x800, 1400x800, 1600x800 and 1800x800



COMPONENTS

- A Table top x1
- B Legs Quadro A x2
- C Beam x1
- D Plastic bracket x4

SCREWS

- E M8x20MM CSK x2
- F M8x20MM Socket head x2
- G M6x20MM Socket head x4
- H M6x30MM Socket head x4

- I Allen key x2

ASSEMBLY INSTRUCTIONS

Quadro A Desk

www.jasonl.com.au

Need help!
Call us on
1300 527 665

jason.l
your office furniture mate

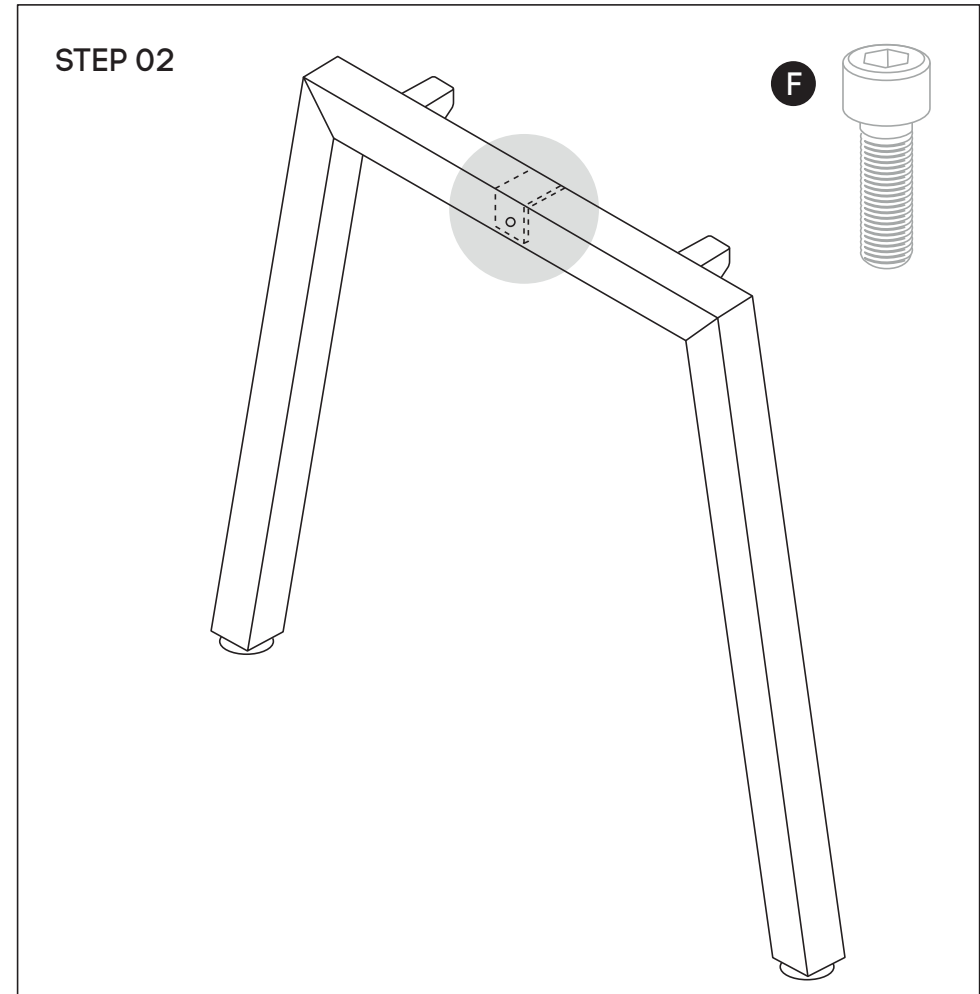


Sizes:

1200x800, 1400x800, 1600x800 and 1800x800



Using Allen Key provided, attach 2 plastic brackets per leg **(D)**
(as per picture above) using M6x20MM **(G)** Socket head screw



Using Allen Key provided, attach M8x20MM Socket head **(F)**-
screw socket half way into leg for both legs **(B)**

ASSEMBLY INSTRUCTIONS

Quadro A Desk

www.jasonl.com.au

Need help!
Call us on
1300 527 665

jason.l
your office furniture mate

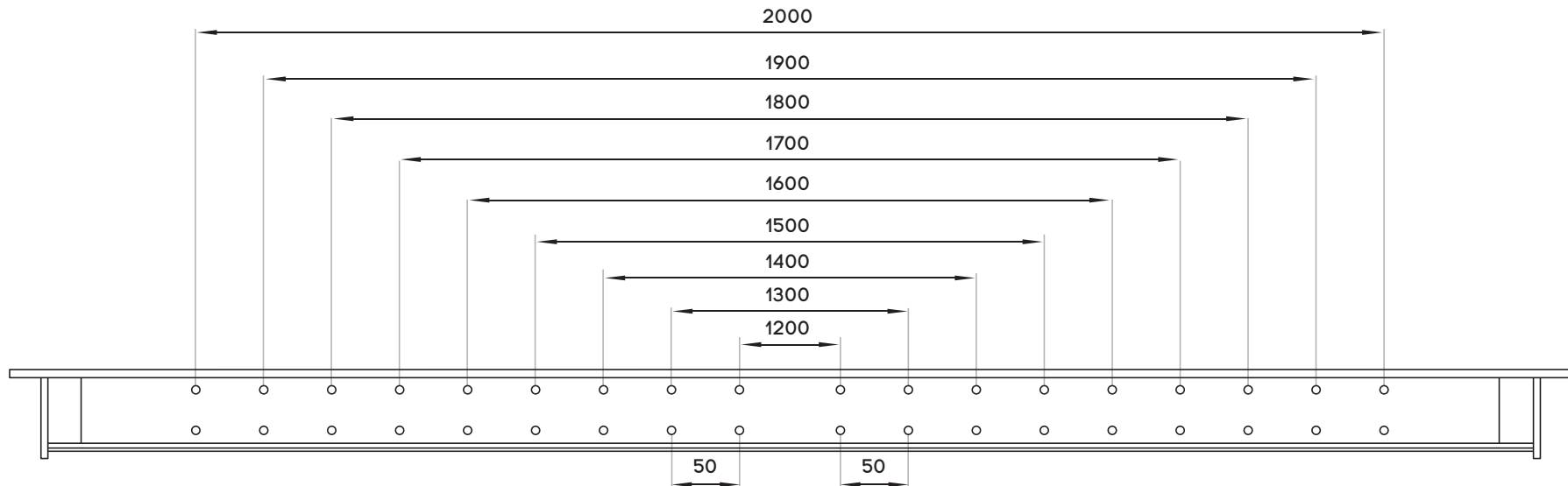
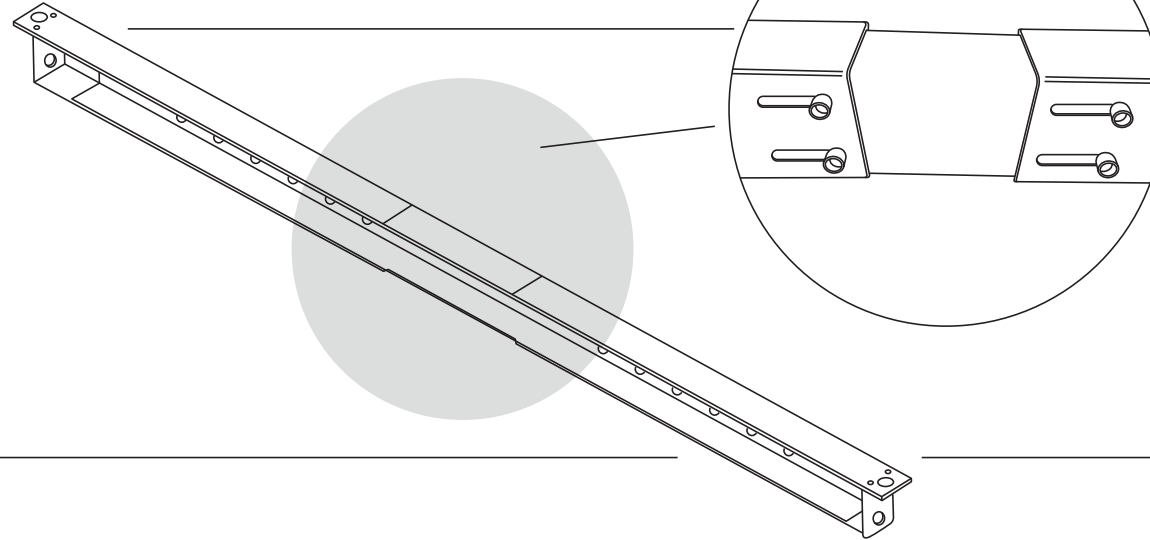


Sizes:

1200x800, 1400x800, 1600x800 and 1800x800

STEP 03

Adjust extendable beam (C) to desired length using markers and secure beam at that length using screws provided



ASSEMBLY INSTRUCTIONS

Quadro A Desk

www.jasonl.com.au

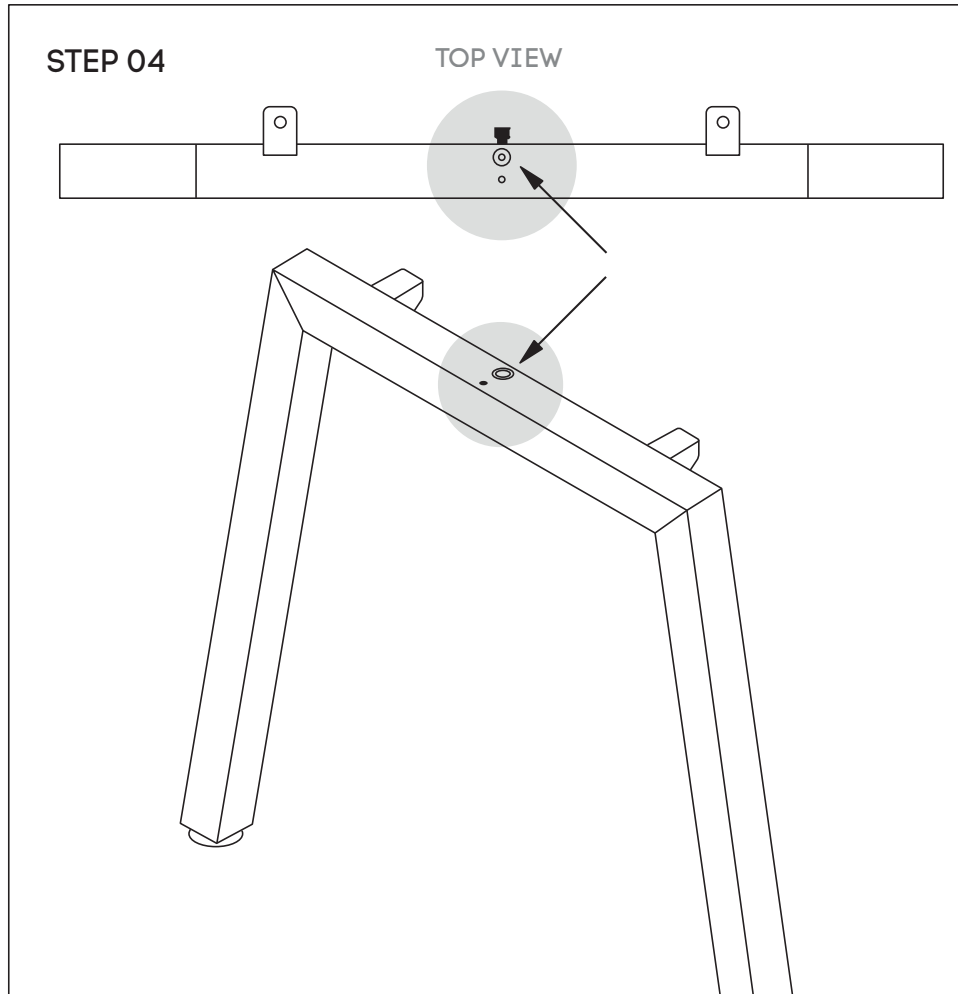
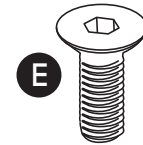
Need help!
Call us on
1300 527 665

jason.l
your office furniture mate

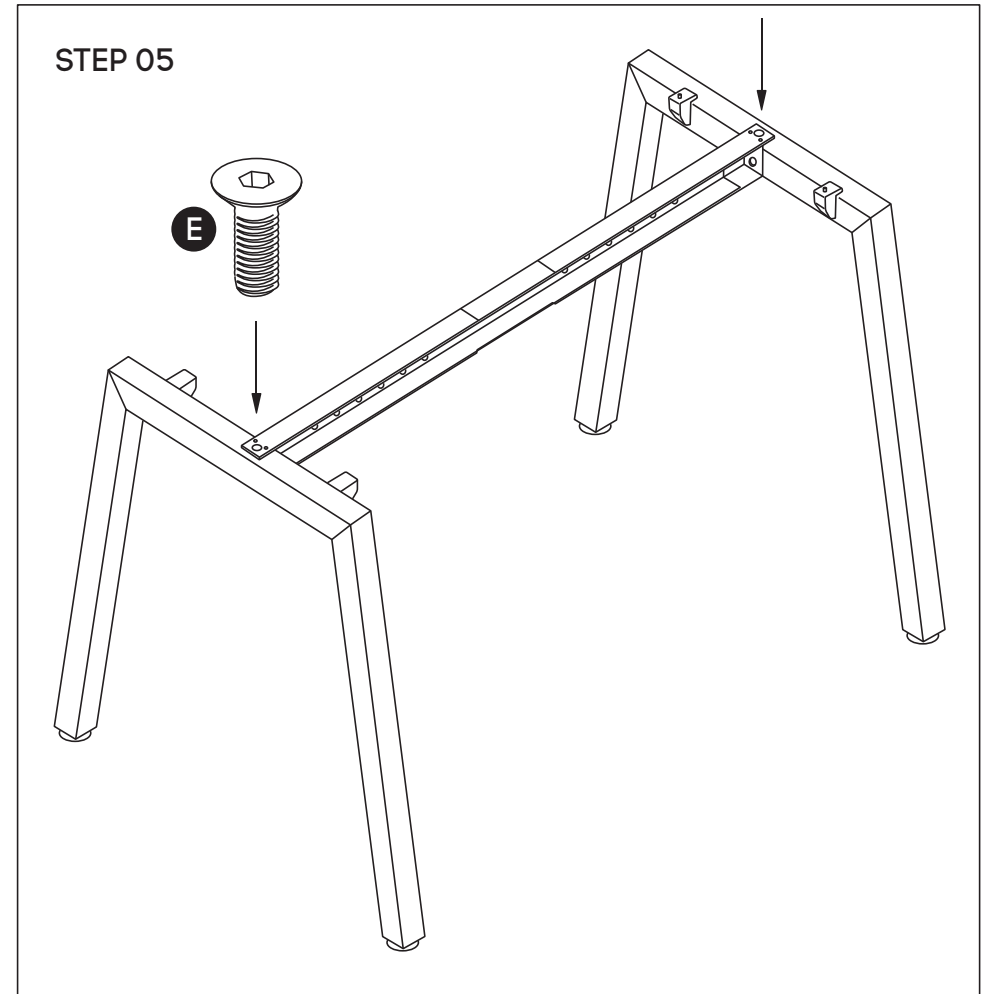


Sizes:

1200x800, 1400x800, 1600x800 and 1800x800



Attach beam **(C)** to legs **(B)** using nut insert in legs.
See point attached



Frame looks like this. Using Allen Key, attach beam **(C)** with Socket **(E)**

ASSEMBLY INSTRUCTIONS

Quadro A Desk

www.jasonl.com.au

Need help!
Call us on
1300 527 665

jason.l
your office furniture mate



Sizes:

1200x800, 1400x800, 1600x800 and 1800x800

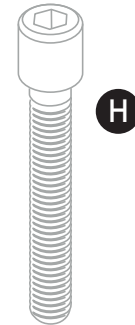
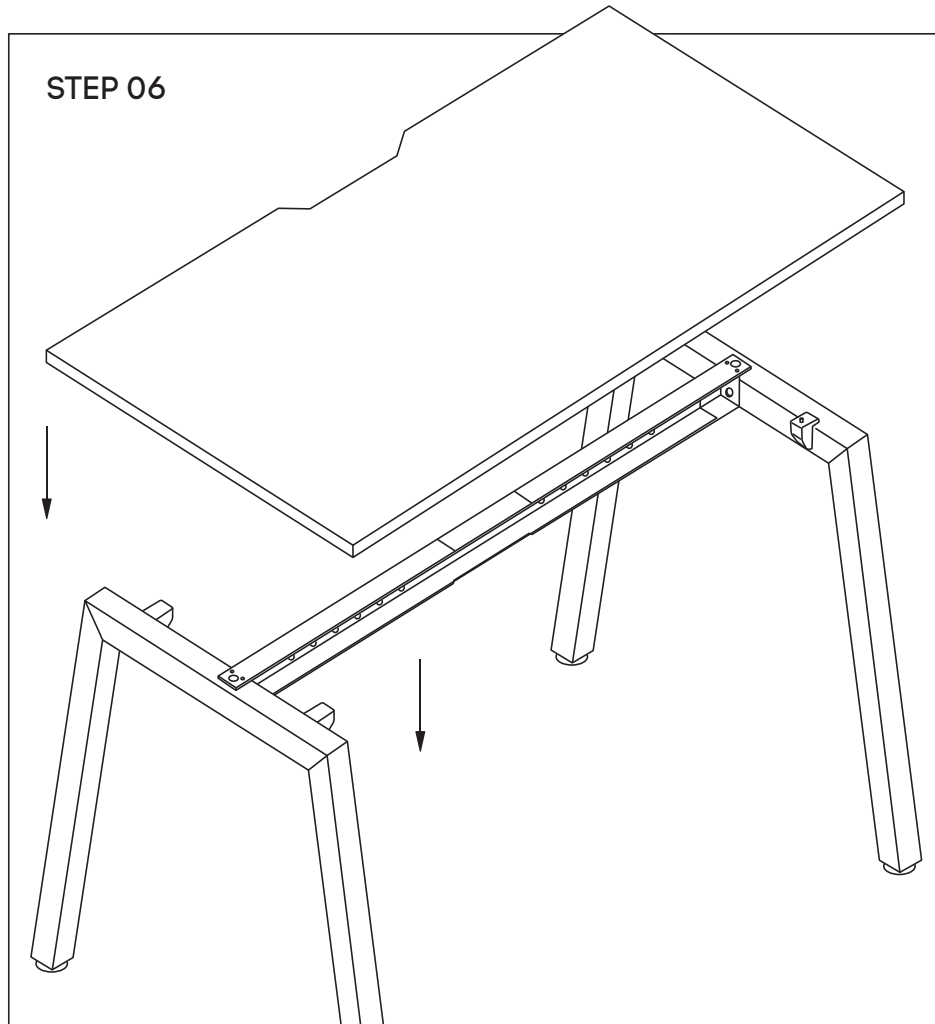
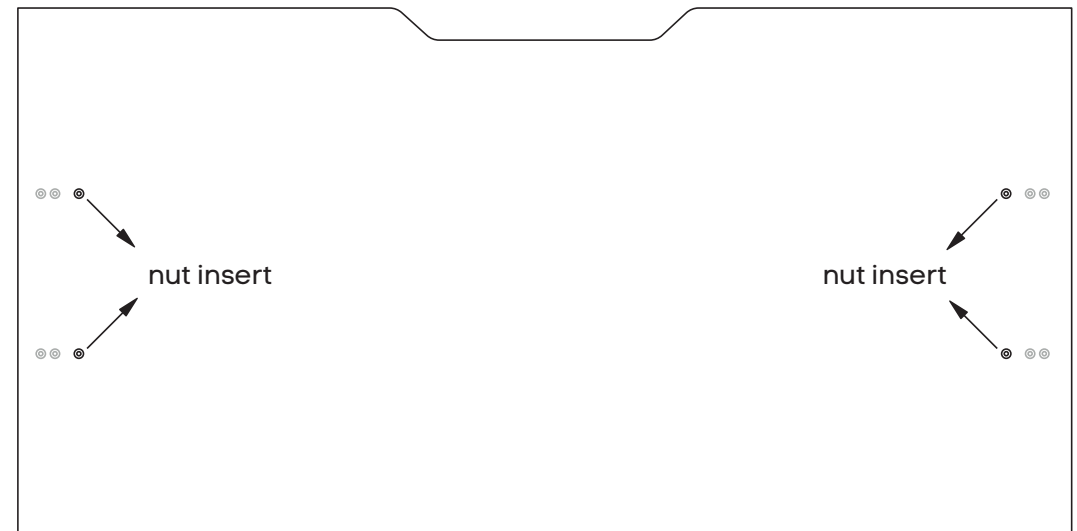


TABLE TOP
BOTTOM VIEW



Place desktop on top of frame - with cutout at the back of the desk.
Nut inserts in top will align with plastic joiner brackets using M6x30MM
(H) sockets attached top to frame.