

ASSEMBLY INSTRUCTIONS

Quadro A Desk

www.jasonl.com.au

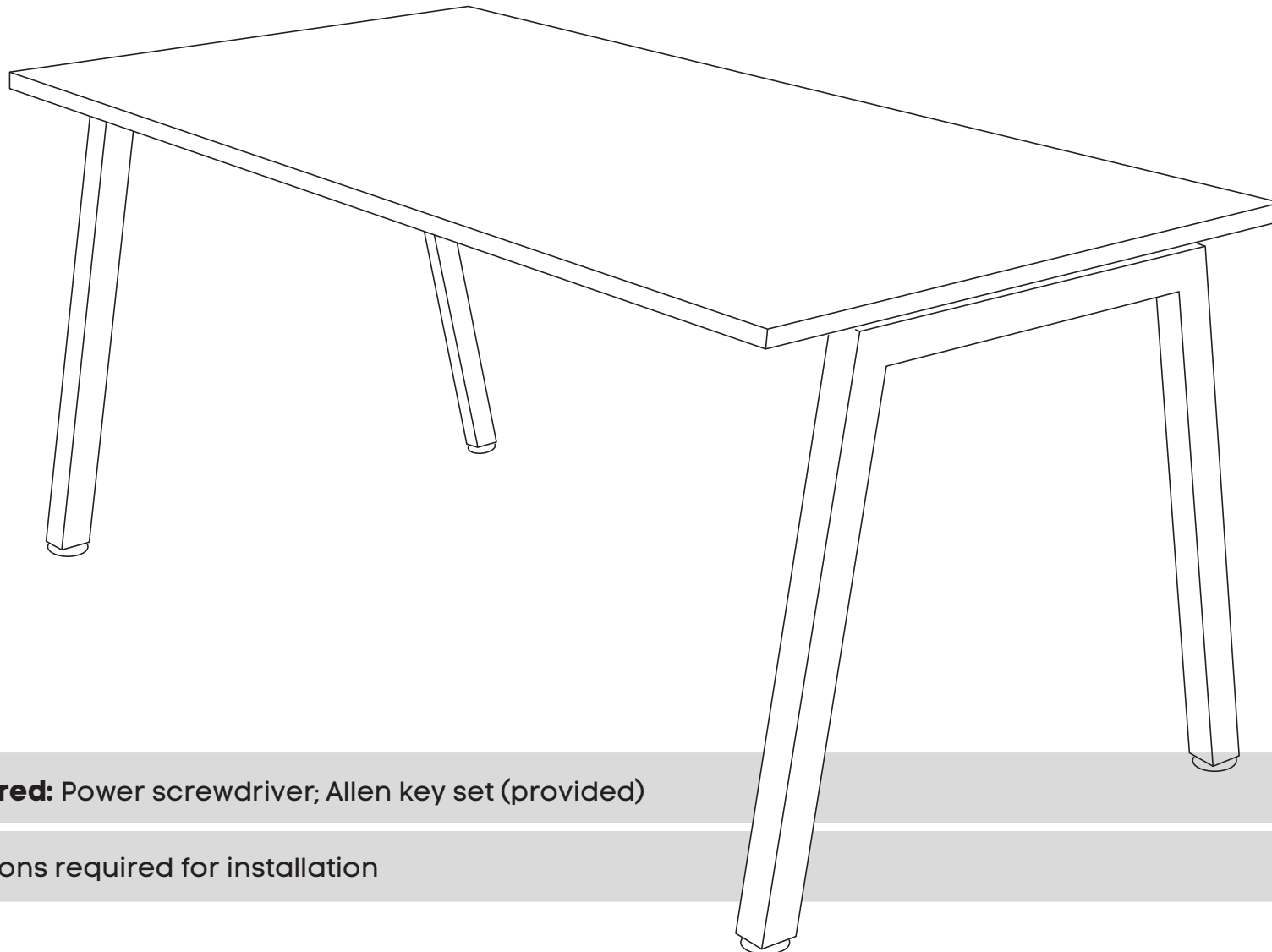
Need help!
Call us on
1300 527 665

jason.l
your office furniture mate




Sizes:

1000x600, 1200x700, 1400x700, 1600x700 and 1800x700



Tools Required: Power screwdriver; Allen key set (provided)

 2 persons required for installation

ASSEMBLY INSTRUCTIONS

Quadro A Desk

www.jasonl.com.au

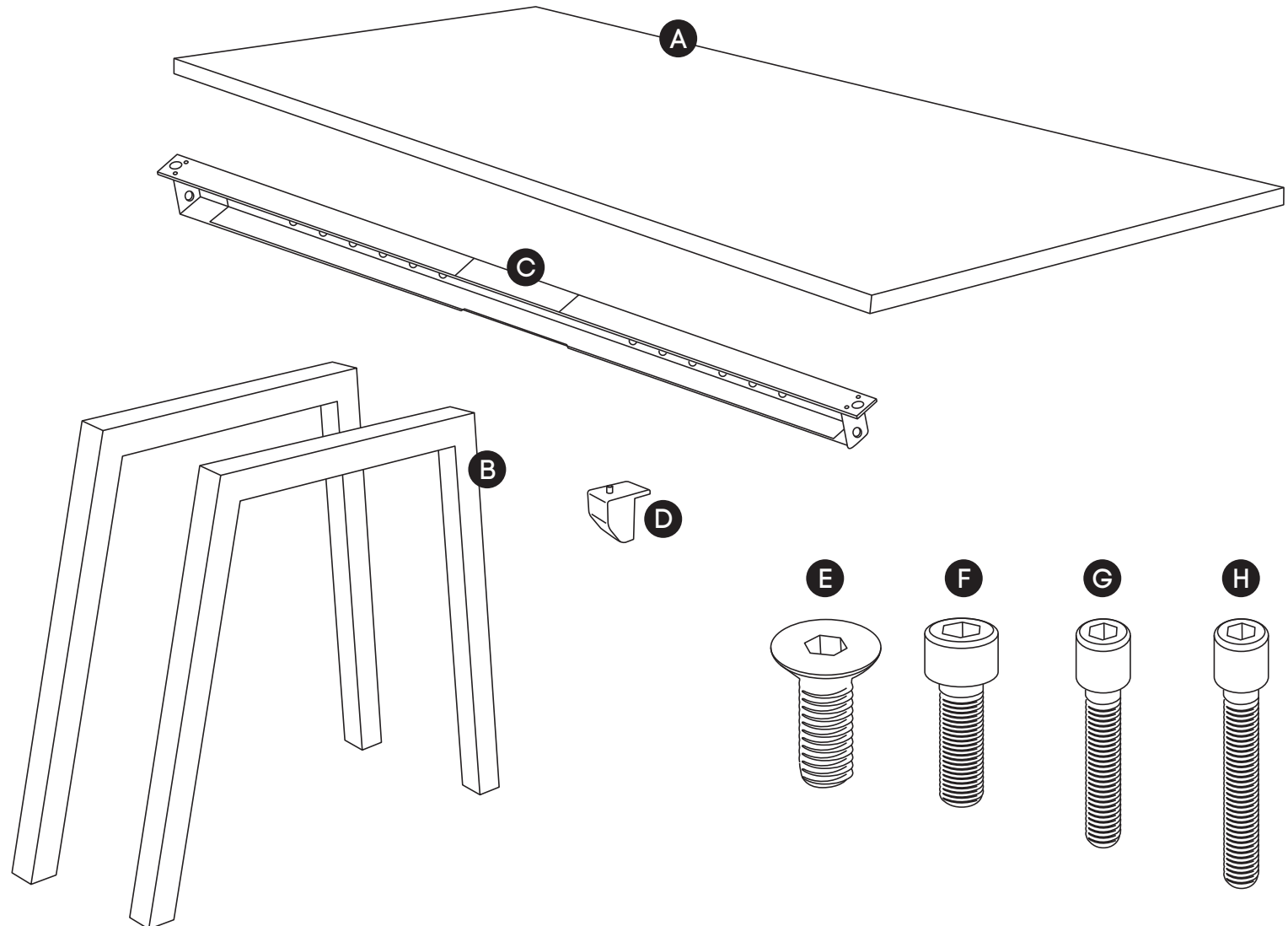
Need help!
Call us on
1300 527 665

jason.l
your office furniture mate



Sizes:

1000x600, 1200x700, 1400x700, 1600x700 and 1800x700



COMPONENTS

- A Table top x1
- B Legs Quadro A x2
- C Beam x1
- D Plastic bracket x4

SCREWS

- E M8x20MM CSK x1
- F M8x20MM Socket head x1
- G M6x20MM Socket head x2
- H M6x30MM Socket head x2

- I Allen key x2

ASSEMBLY INSTRUCTIONS

Quadro A Desk

www.jasonl.com.au

Need help!
Call us on
1300 527 665

jason.l
your office furniture mate

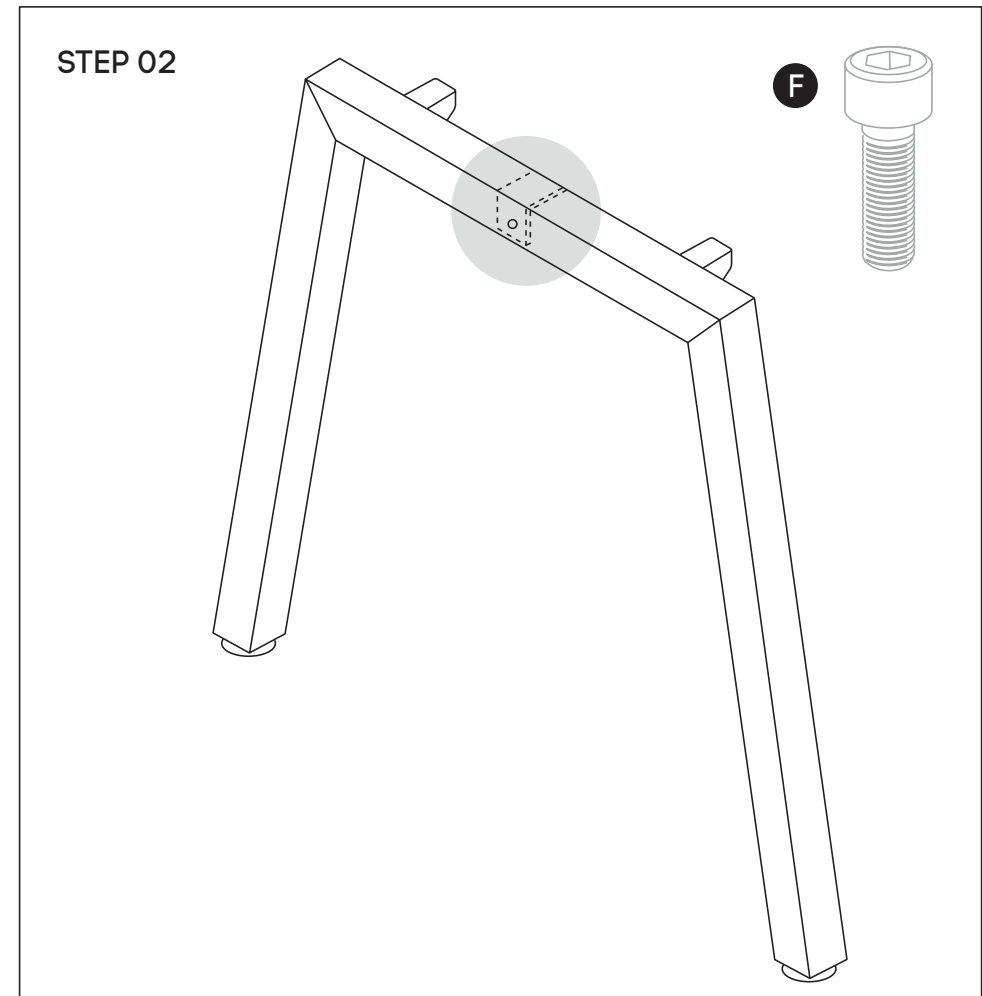


Sizes:

1000x600, 1200x700, 1400x700, 1600x700 and 1800x700



Using Allen Key provided, attach 2 plastic brackets per leg **(D)** (as per picture above) using M6x20MM **(G)** Socket head screw



Using Allen Key provided, attach M8x20MM Socket head **(F)**-screw socket half way into leg for both legs **(B)**

ASSEMBLY INSTRUCTIONS

Quadro A Desk

www.jasonl.com.au

Need help!
Call us on
1300 527 665

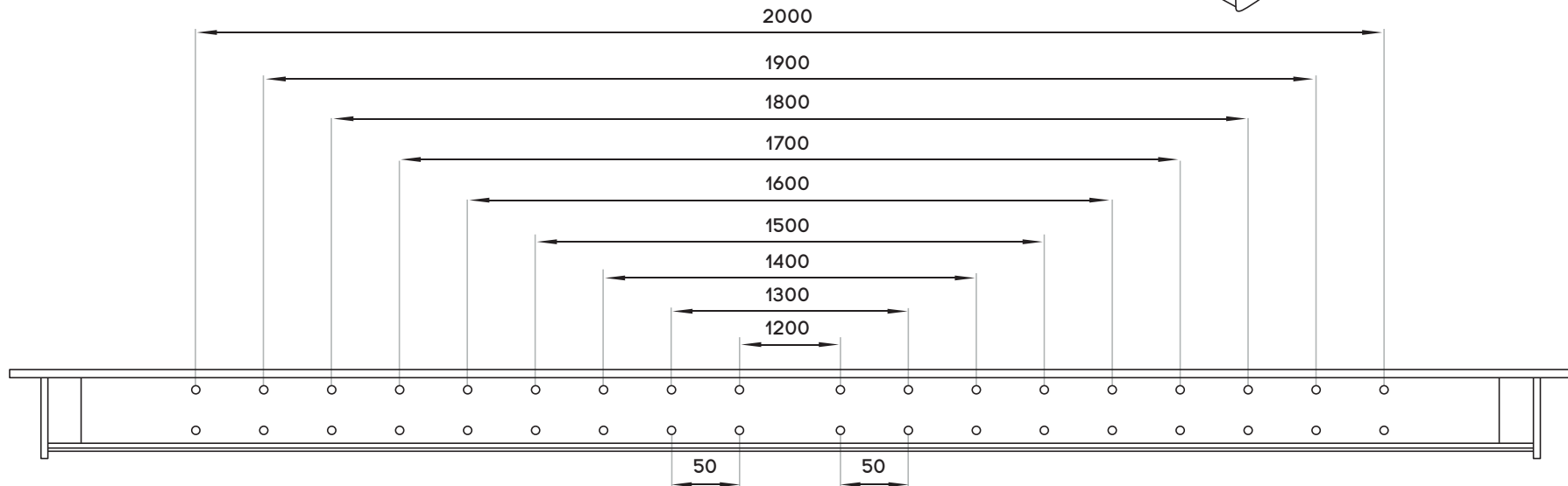
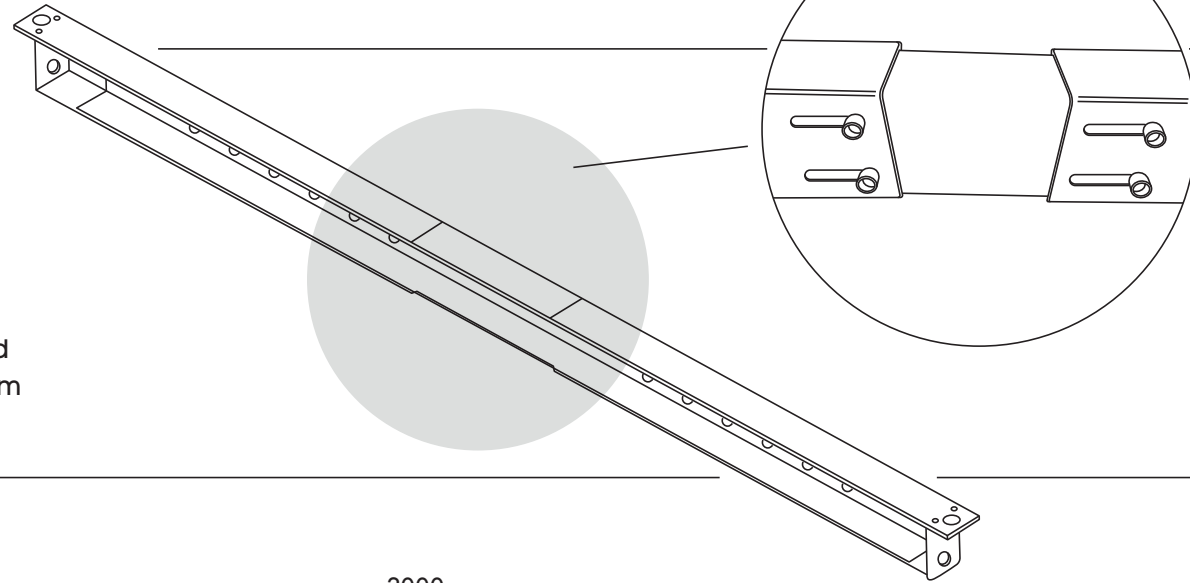
jason.l
your office furniture mate



Sizes:
1000x600, 1200x700, 1400x700, 1600x700 and 1800x700

STEP 03

Adjust extendable beam (C) to desired length using markers and secure beam at that length using screws provided



ASSEMBLY INSTRUCTIONS

Quadro A Desk

www.jasonl.com.au

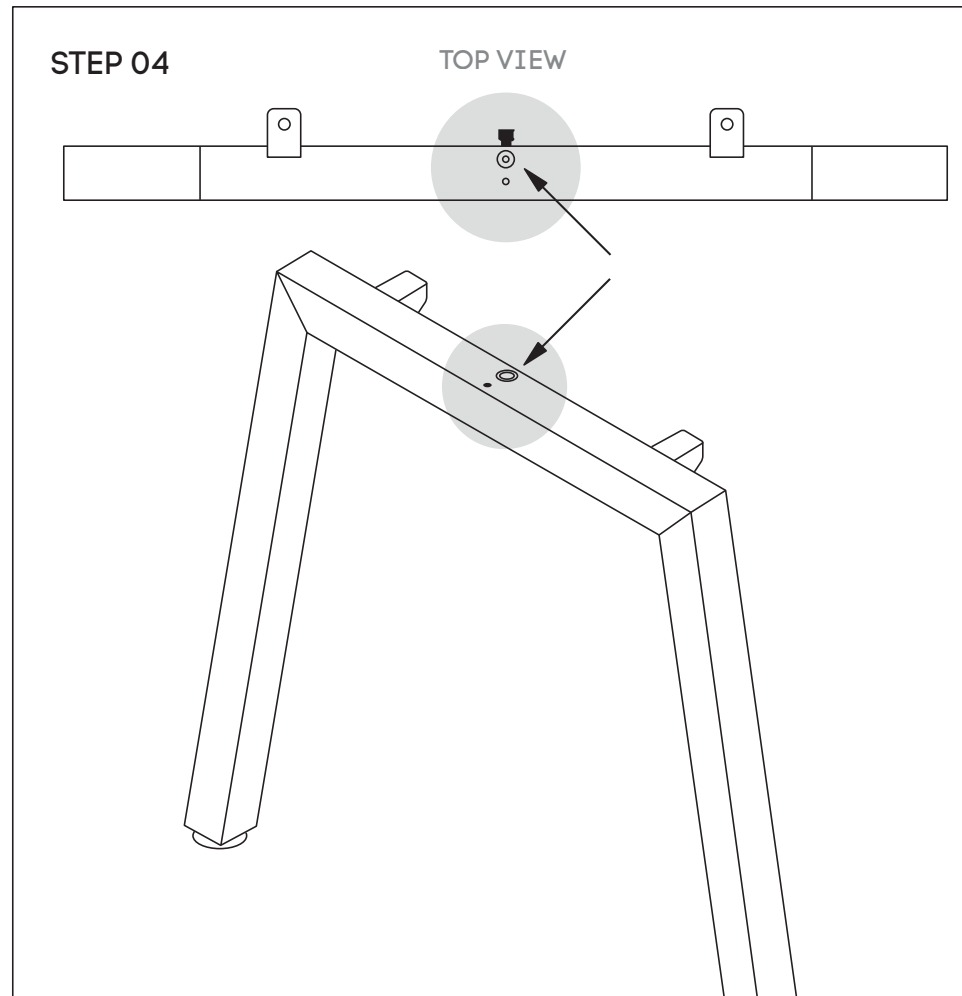
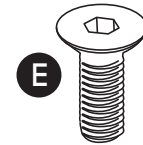
Need help!
Call us on
1300 527 665

jason.l
your office furniture mate

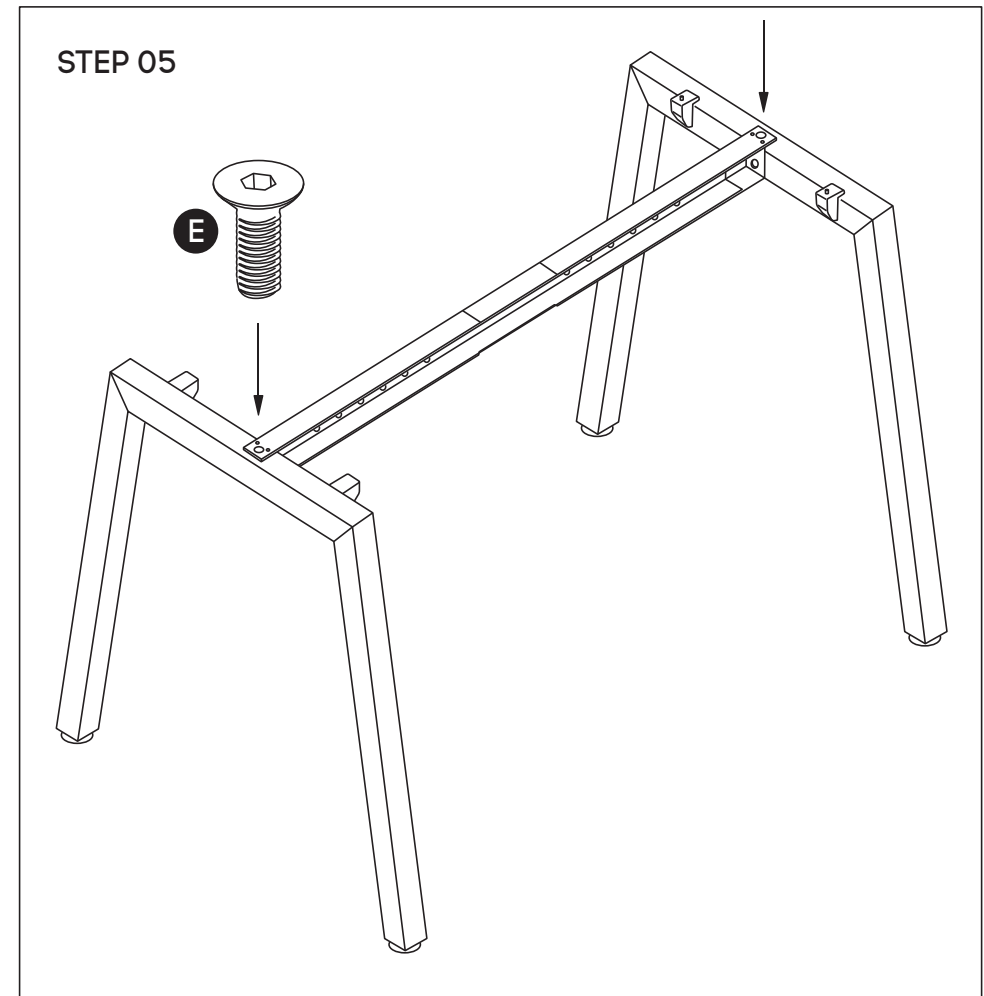


Sizes:

1000x600, 1200x700, 1400x700, 1600x700 and 1800x700



Attach beam **(C)** to legs **(B)** using nut insert in legs
See point attached



Frame looks like this. Using Allen Key, attach beam **(C)** with Socket **(E)**

ASSEMBLY INSTRUCTIONS

Quadro A Desk

www.jasonl.com.au

Need help!
Call us on
1300 527 665

jason.l
your office furniture mate



Sizes:
1000x600, 1200x700, 1400x700, 1600x700 and 1800x700

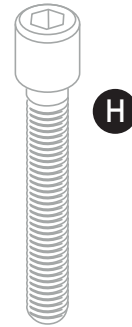
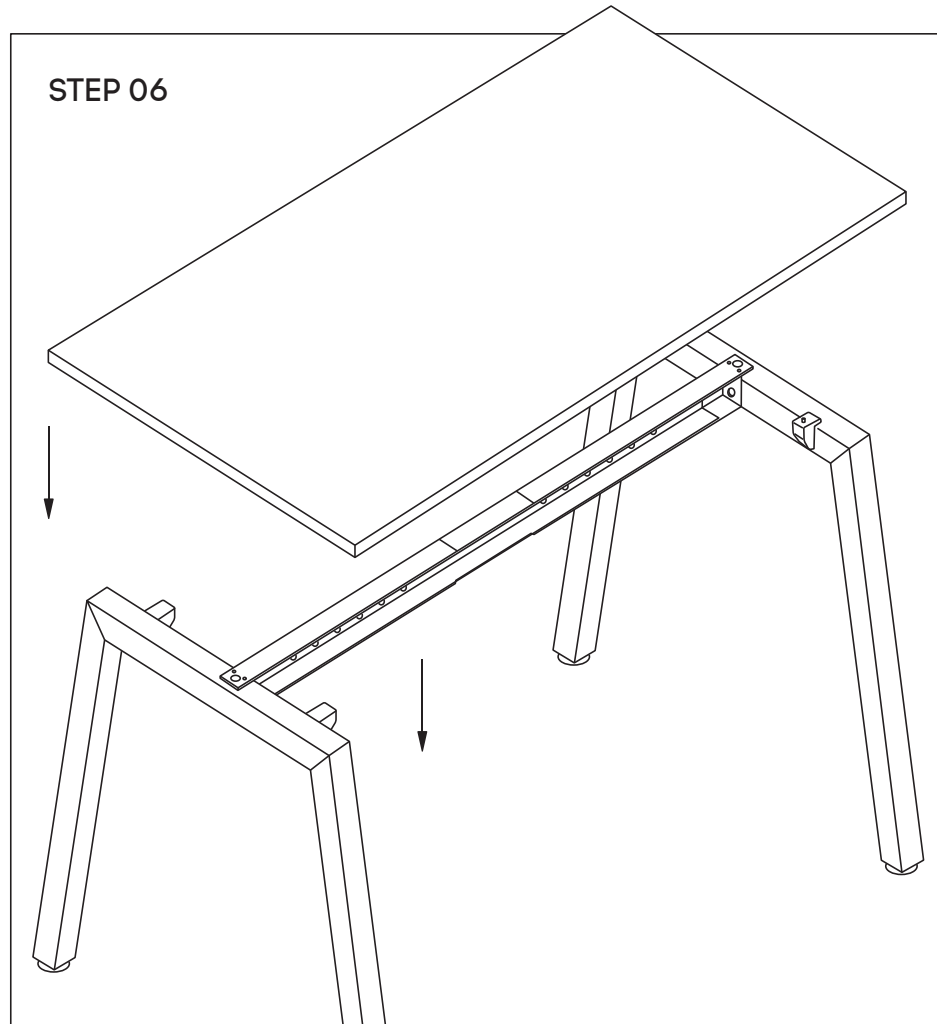
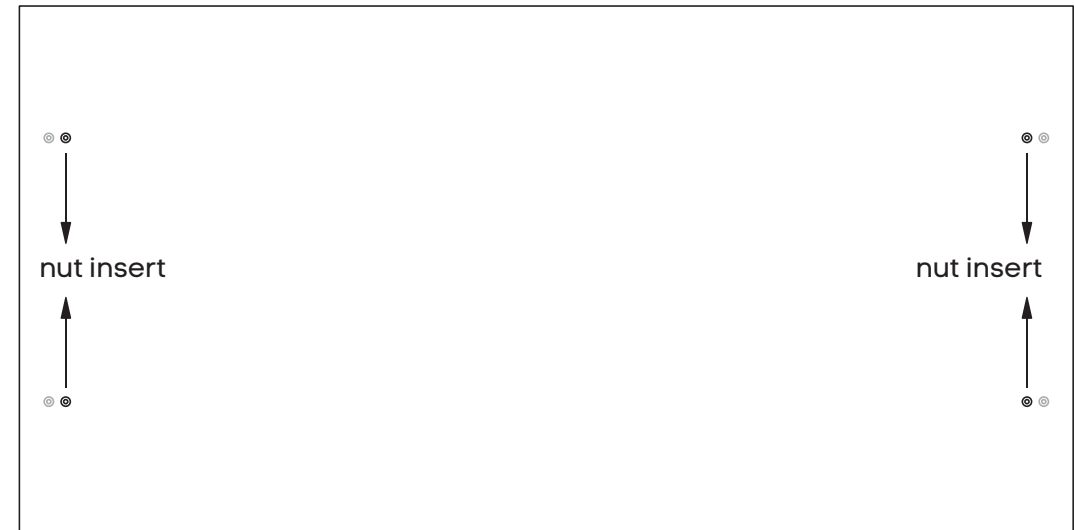


TABLE TOP
BOTTOM VIEW



Place desktop on top of frame. Nut inserts in top will align with plastic joiner brackets using M6x30MM (H) sockets attached top to frame.