

ASSEMBLY INSTRUCTIONS
Quadro A desk

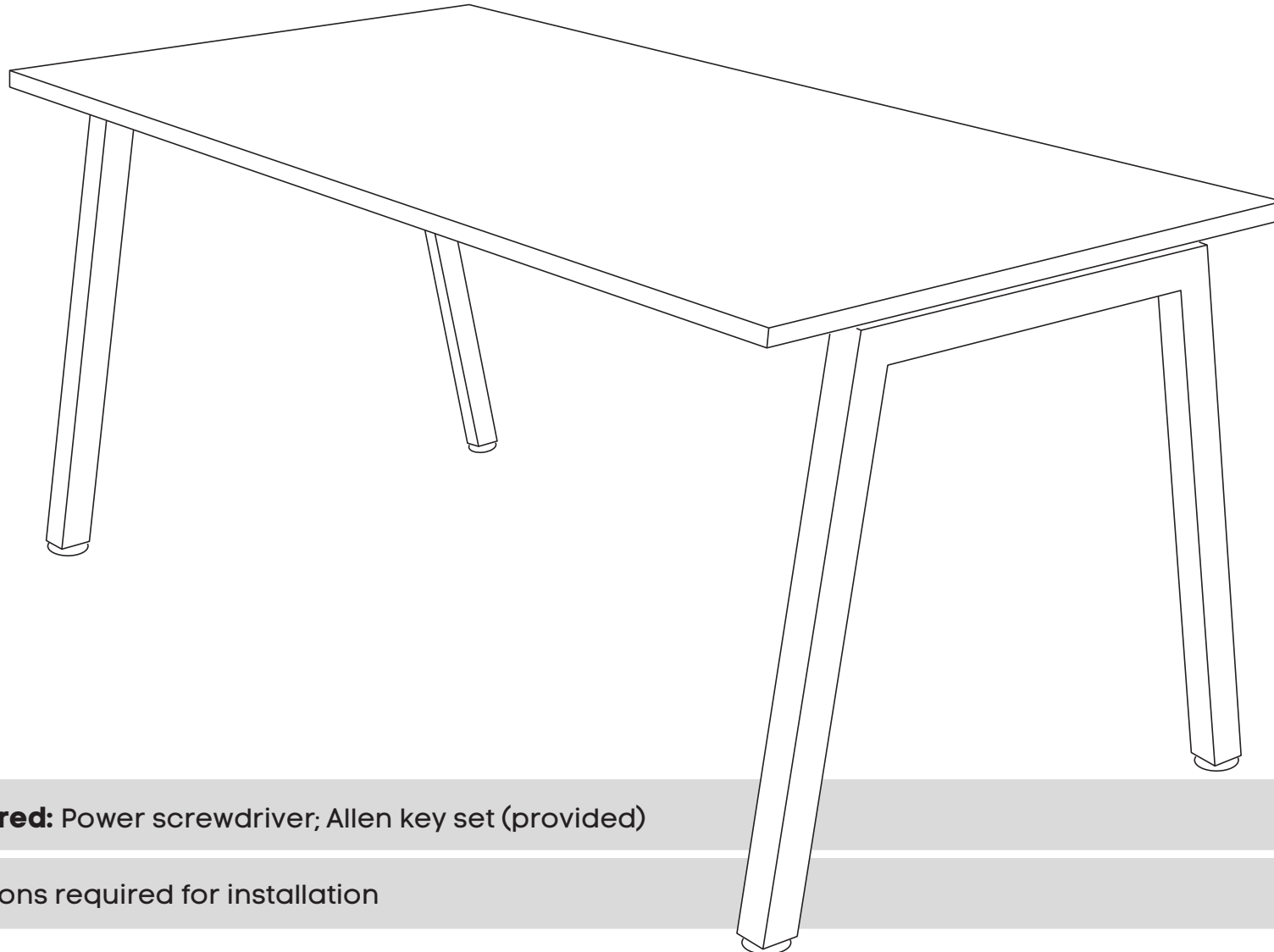
Size: 1000W x 600D mm

www.jasonl.com.au


Need help!

Call us on
1300 527 665

jason.l
your office furniture mate



Tools Required: Power screwdriver; Allen key set (provided)

 2 persons required for installation

ASSEMBLY INSTRUCTIONS

Quadro A desk

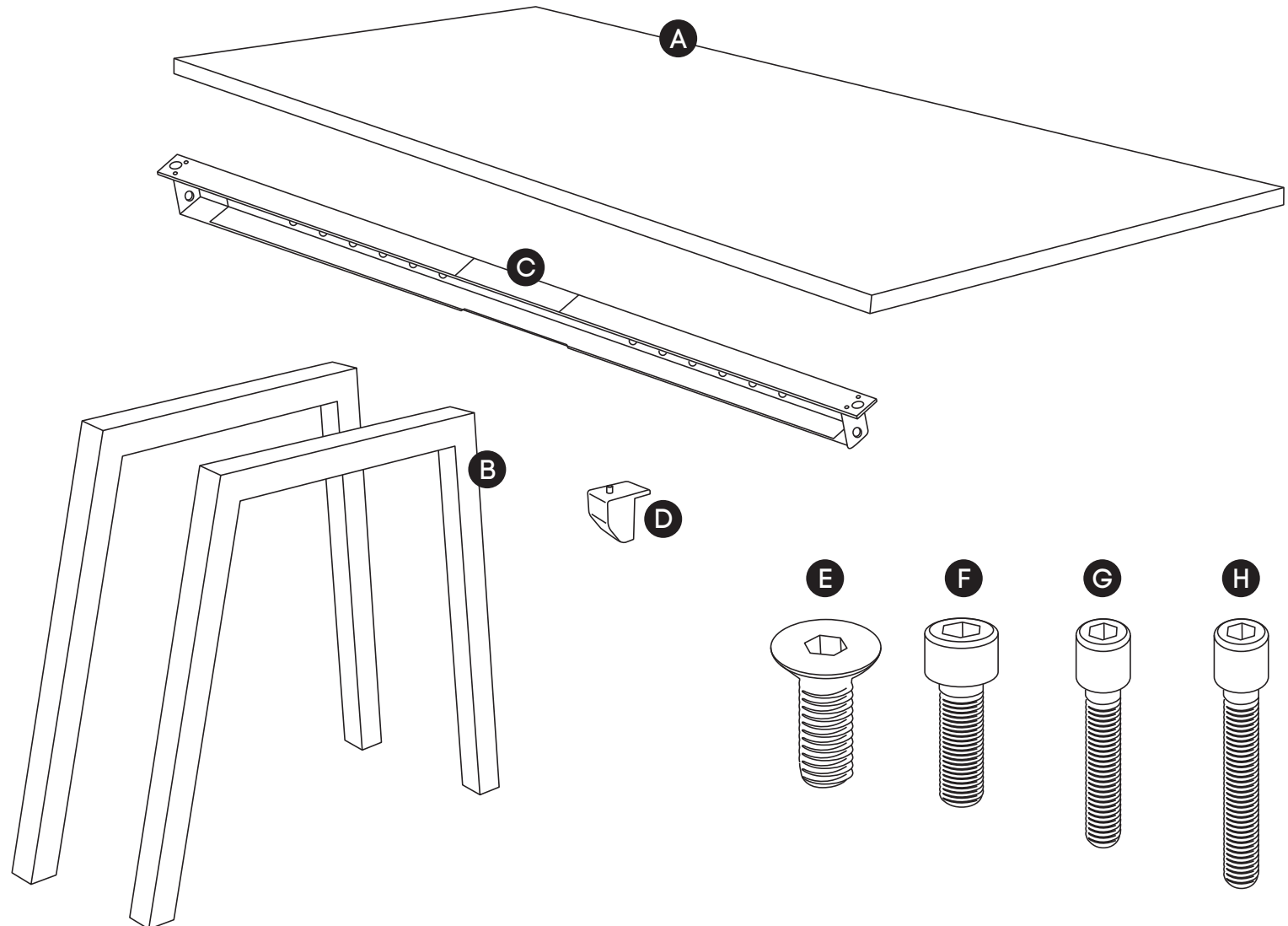
Size: 1000W x 600D mm

www.jasonl.com.au

Need help!

Call us on
1300 527 665

jason.l
your office furniture mate



COMPONENTS

- A Table top x1
- B Legs Quadro A x2
- C Beam x1
- D Plastic bracket x4

SCREWS

- E M8x20MM CSK x1
- F M8x20MM Socket head x1
- G M6x20MM Socket head x2
- H M6x30MM Socket head x2

- I Allen key x2

ASSEMBLY INSTRUCTIONS

Quadro A desk

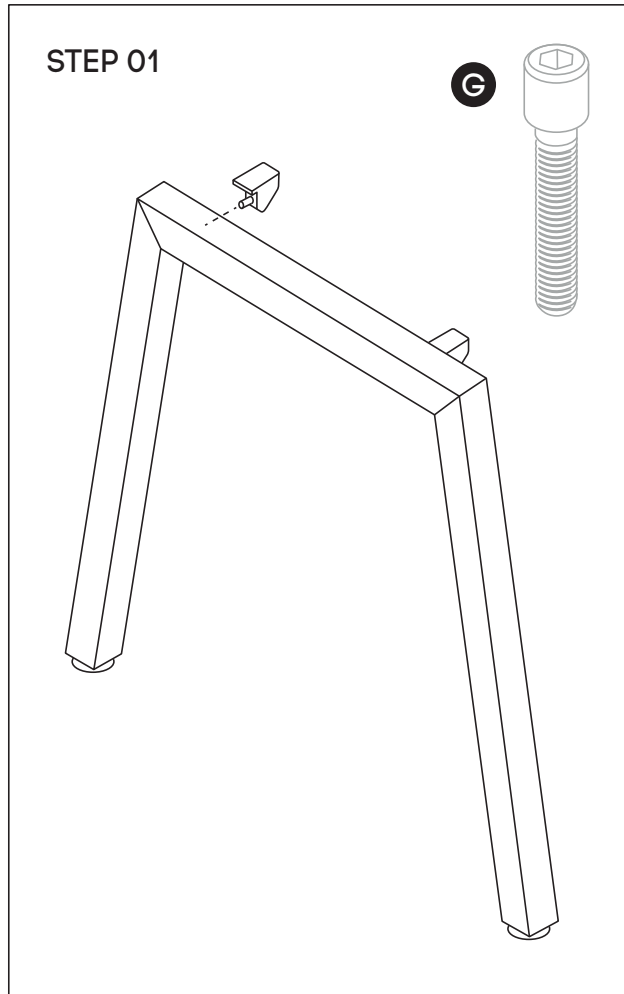
Size: 1000W x 600D mm

www.jasonl.com.au

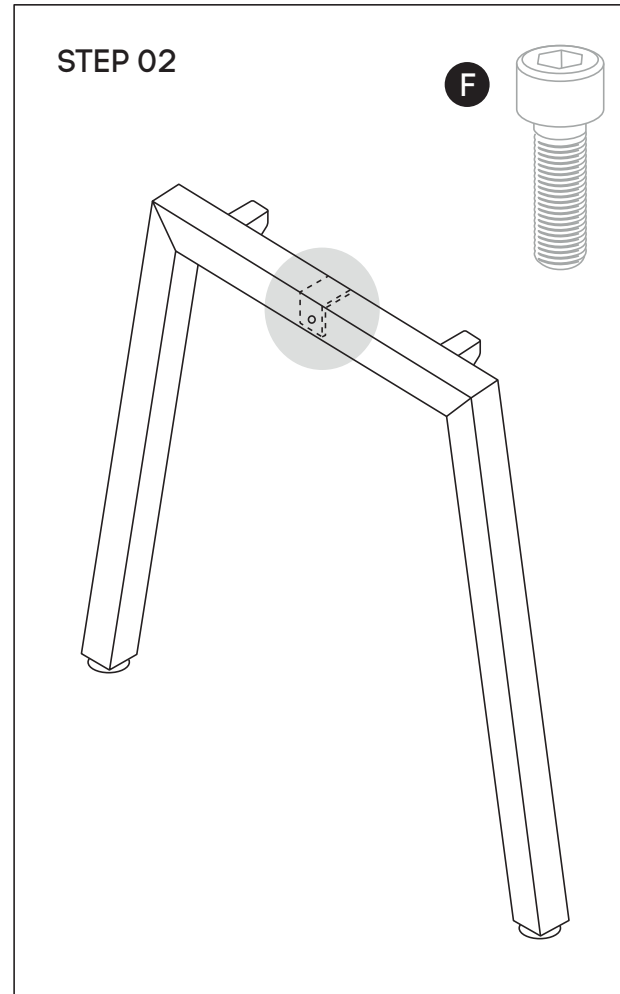
Need help!

Call us on
1300 527 665

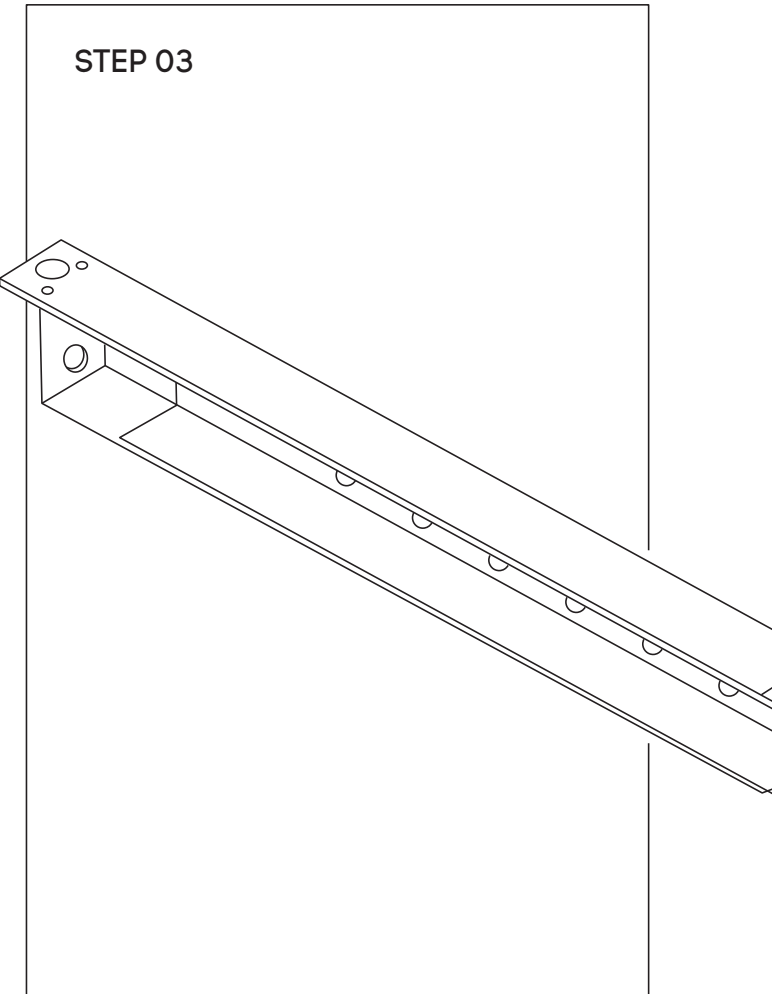
jason.l
your office furniture mate



Using Allen Key provided, attach 2 plastic brackets per leg **(D)** (as per picture above) using M6x20MM **(G)** Socket head screw



Using Allen Key provided, attach M8x20MM Socket head **(F)**- screw socket half way into leg for both legs **(B)**



Use fixed beam **(C)** 1000mm and secure beam using screws provided to suit 1000mm desk

ASSEMBLY INSTRUCTIONS

Quadro A desk

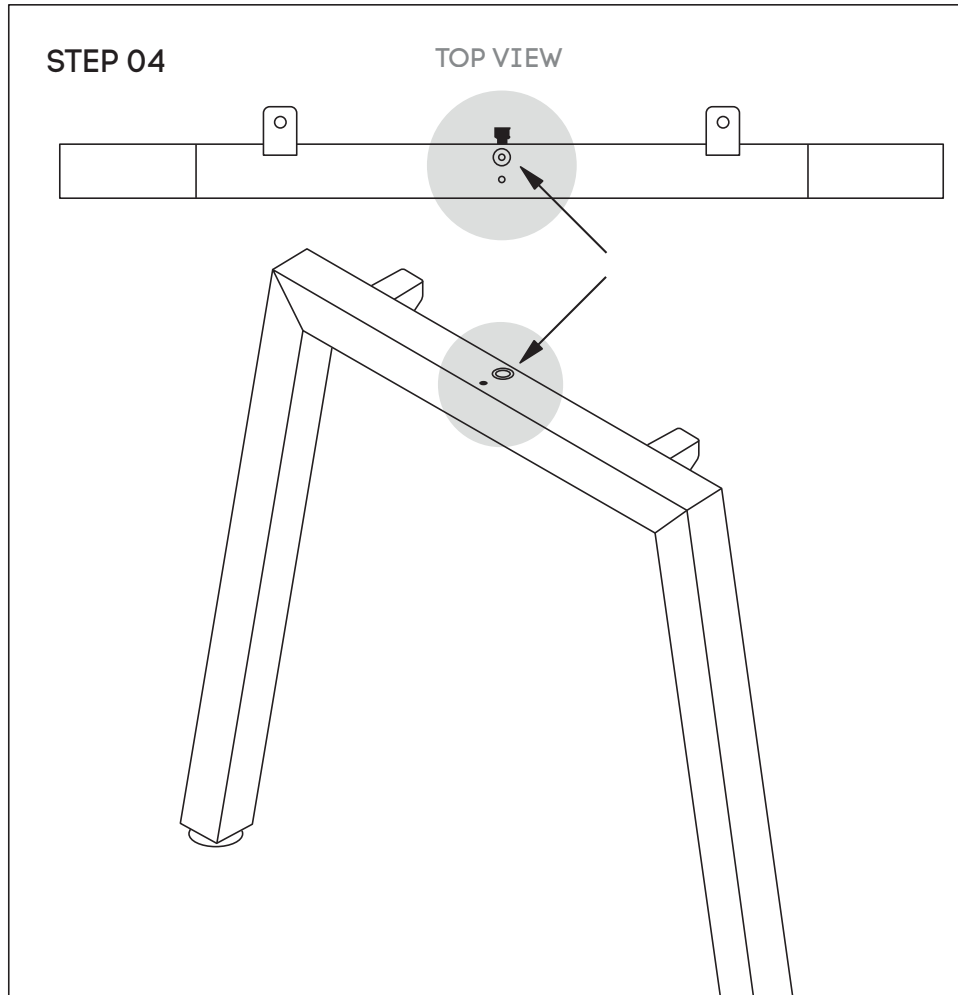
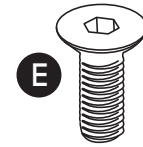
Size: 1000W x 600D mm

www.jasonl.com.au

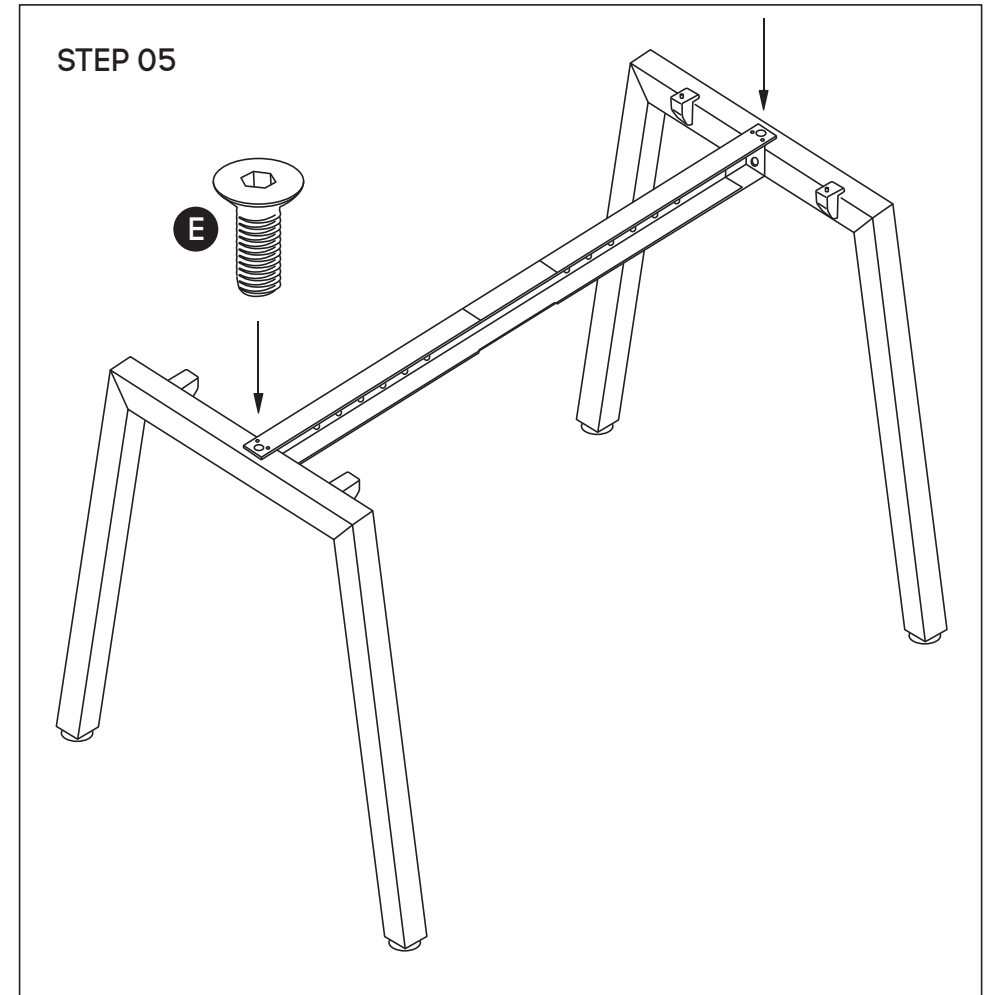
Need help!

Call us on
1300 527 665

jason.l
your office furniture mate



Attach beam **(C)** to legs **(B)** using nut insert in legs
See point attached



Frame looks like this. Using Allen Key, attach beam **(C)** with Socket **(E)**

ASSEMBLY INSTRUCTIONS

Quadro A desk

Size: 1000W x 600D mm

www.jasonl.com.au

Need help!

Call us on
1300 527 665

jason.l
your office furniture mate

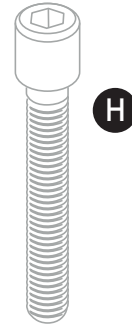
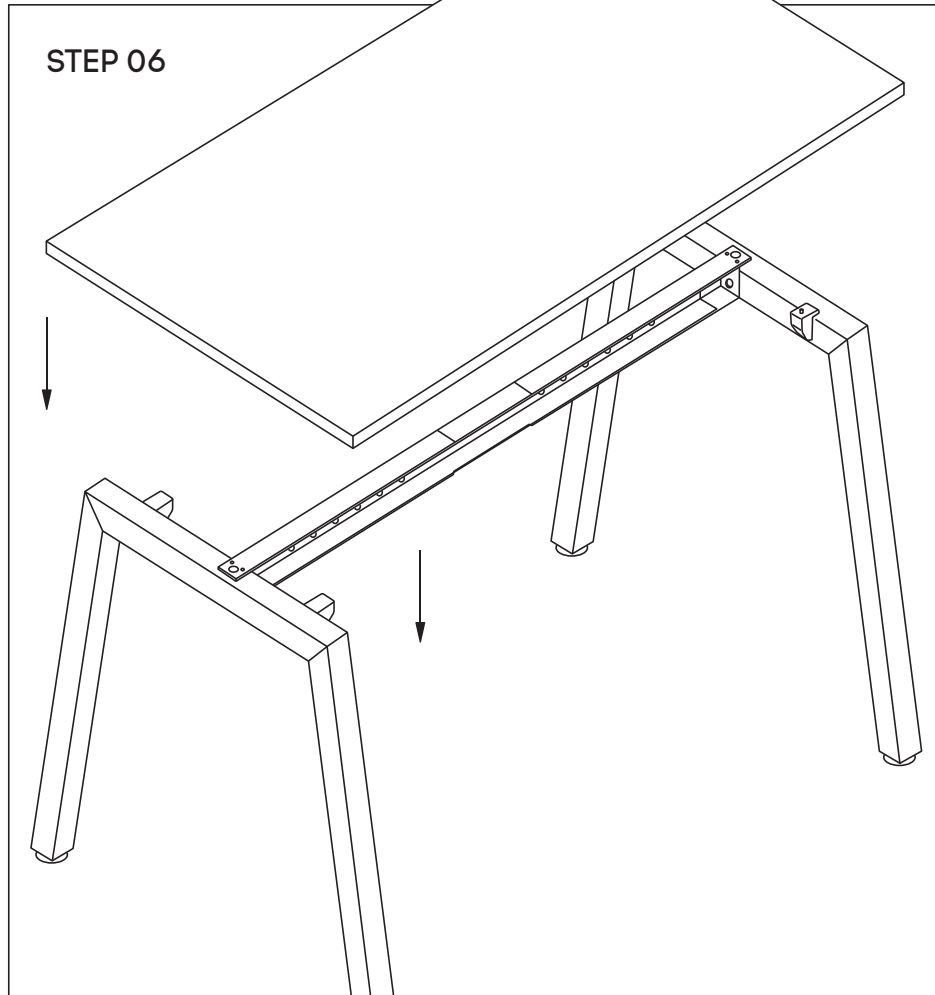
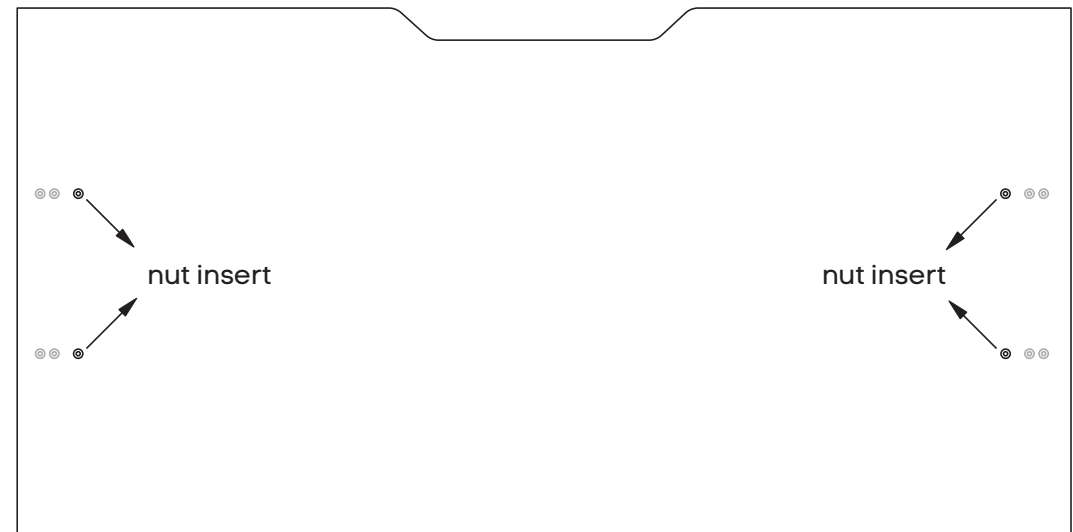


TABLE TOP
BOTTOM VIEW



Place desktop on top of frame. Nut inserts in top will align with plastic joiner brackets using M6x30MM (H) sockets attached top to frame.