

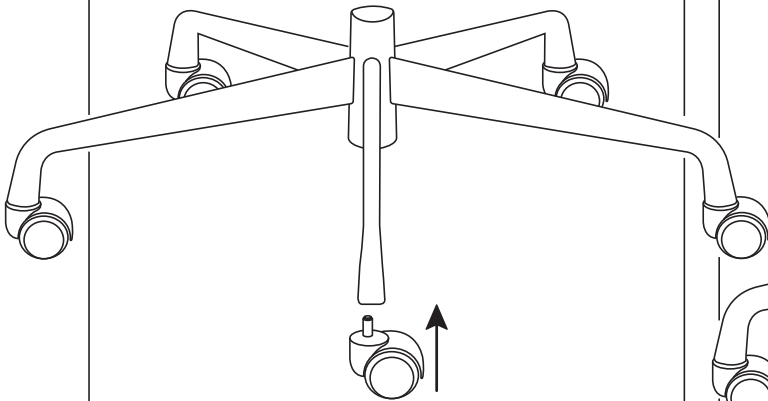
# Eames chair instruction



# Eames chair instruction

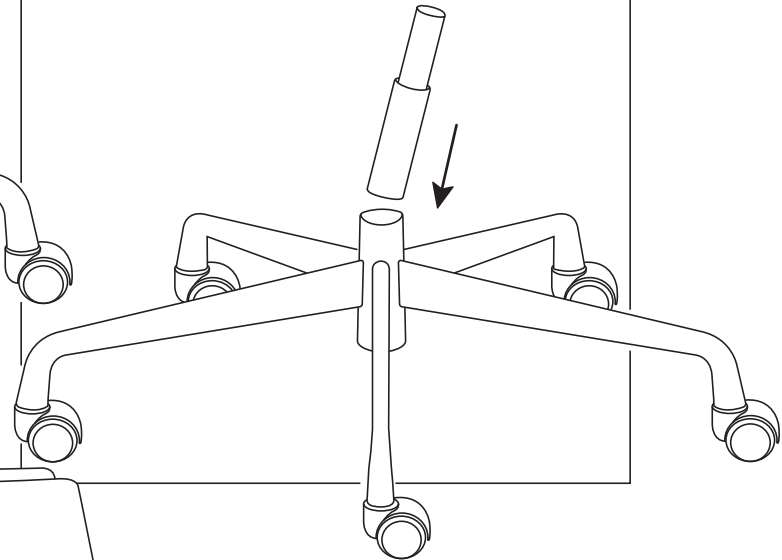
## STEP 1

Insert wheels into base.



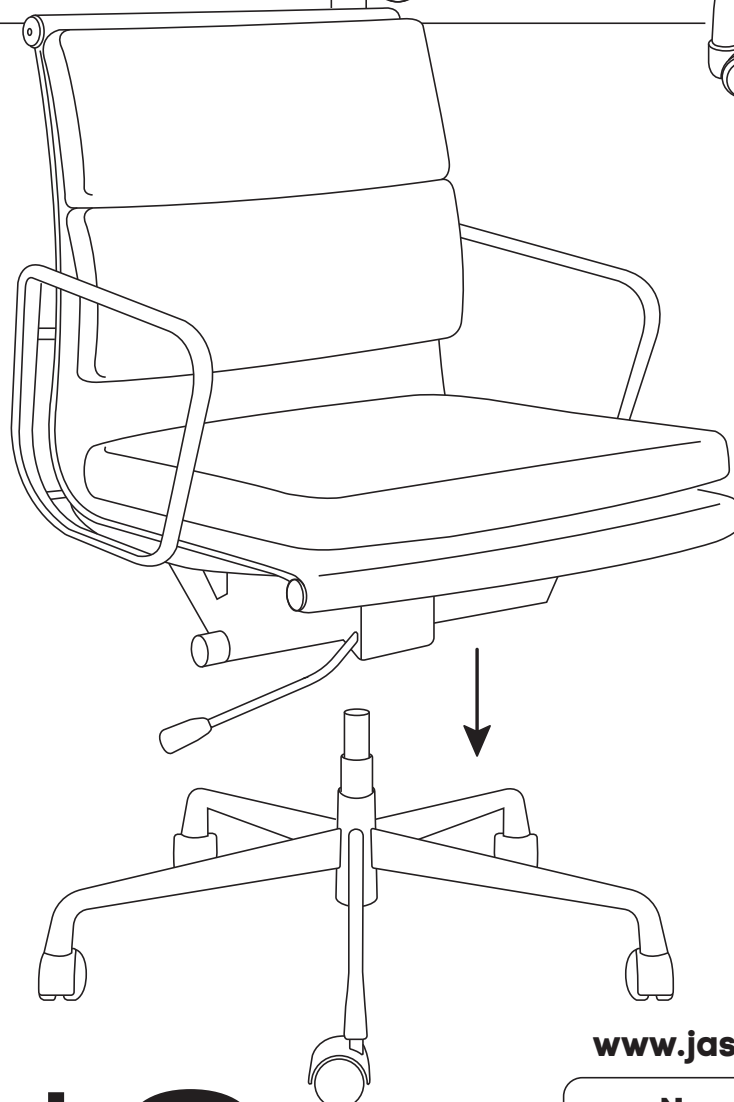
## STEP 2

Insert gas cylinder into base.



## STEP 3

Insert body into mechanism.



**jason.l**  
your office furniture mate



[www.jasonl.com.au](http://www.jasonl.com.au)

**Need help!**  
Call us on  
**1300 527 665**