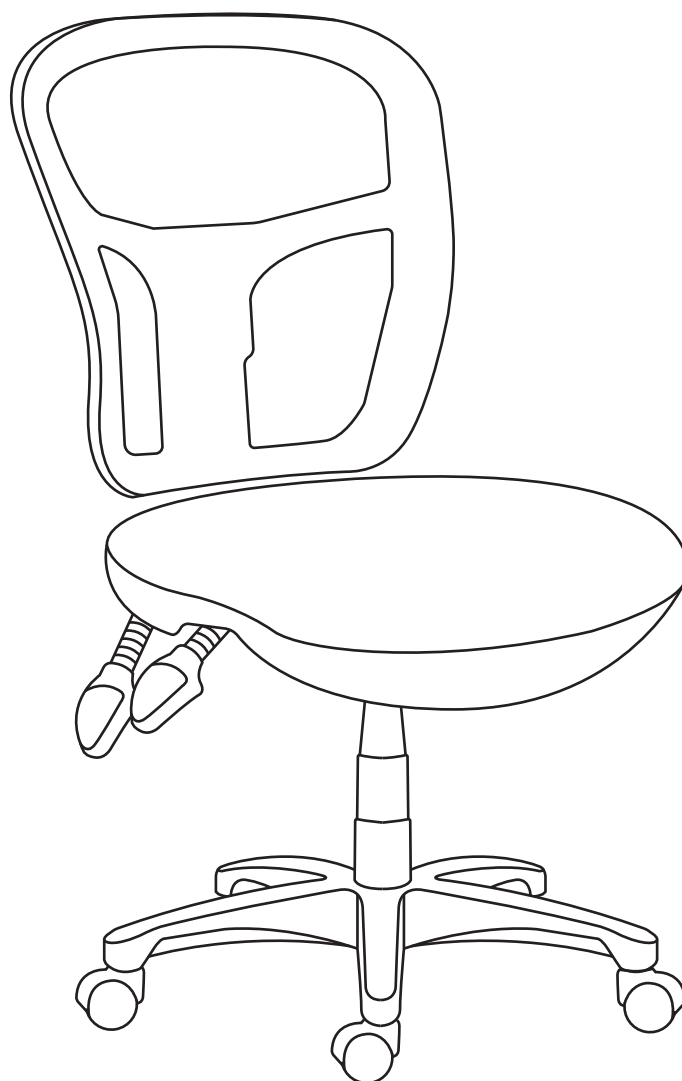




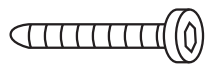





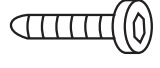


Dove, Dove Mesh and drafting assembly instructions



	1	 1  1	 1	 1 M6*30X2 A
	1	 1	 5  C  D 4 2	 2 M6*20X2 B

www.jasonl.com.au

jason.l
your office furniture mate



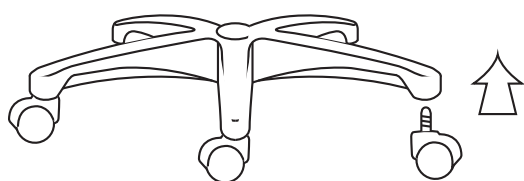
Need help!
Call us on
1300 527 665

Dove, Dove Mesh and drafting assembly instructions

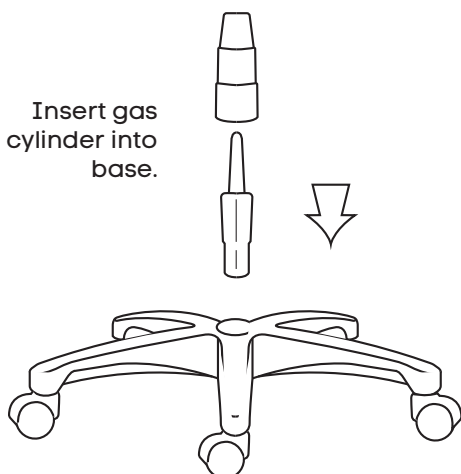
Standard Base Assembly

STEP 1

Insert castors into base.



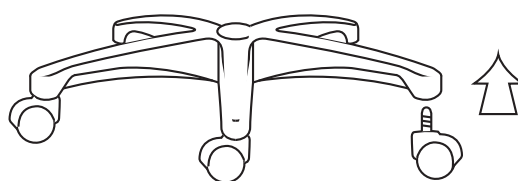
Insert gas cylinder into base.



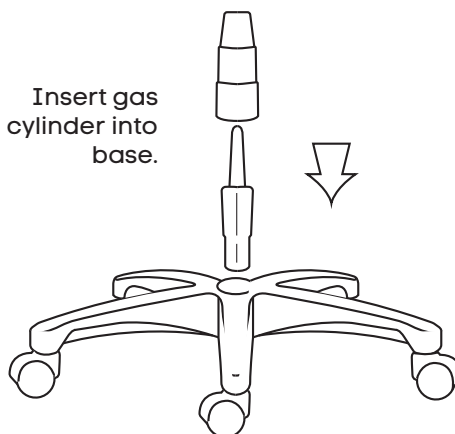
Drafting Base Assembly

STEP 1

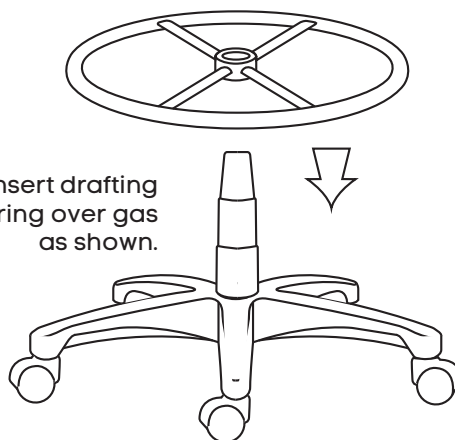
Insert castors into base.



Insert gas cylinder into base.

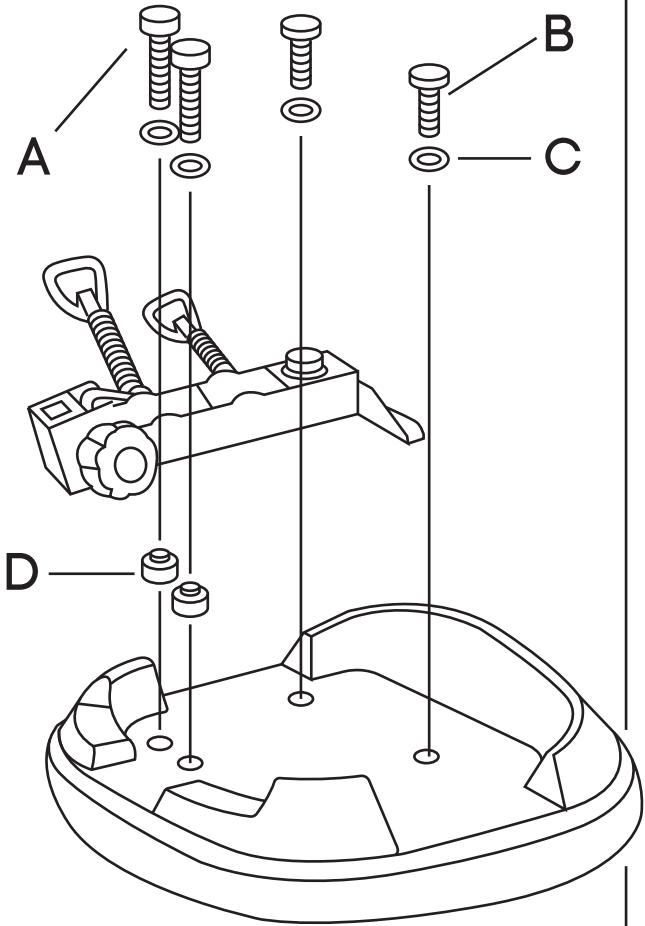


Insert drafting ring over gas as shown.

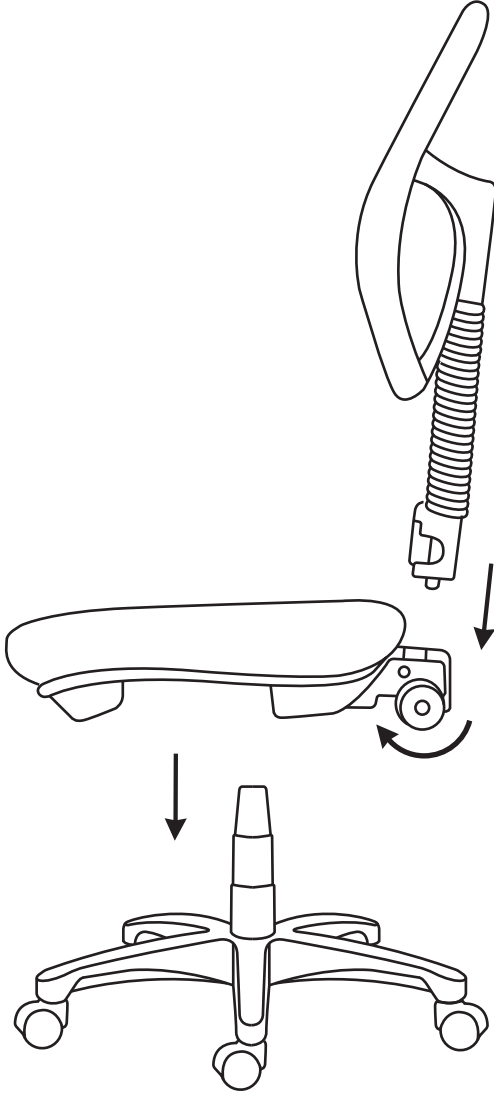


Dove, Dove Mesh and drafting assembly instructions

STEP 2



STEP 3



www.jasonl.com.au



Need help!
Call us on
1300 527 665