

Instructions for the following chairs:

Hawk - 3 lever mechanism

Hornbill - 3 lever mechanism

Swift - 3 lever mechanism

Sparrow - 3 lever mechanism

Heron - 3 lever mechanism

Plover - 3 lever mechanism

jason.l
your office furniture mate

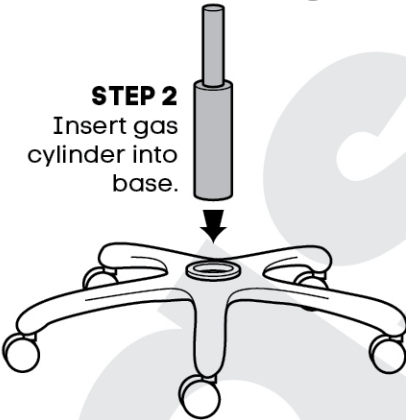


Assembly Guide: Standard Base Assembly

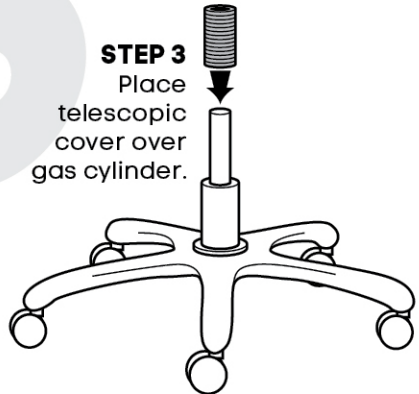
STEP 1
Insert castors into base.



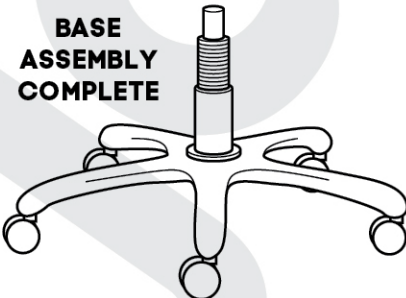
STEP 2
Insert gas cylinder into base.



STEP 3
Place telescopic cover over gas cylinder.



**BASE
ASSEMBLY
COMPLETE**



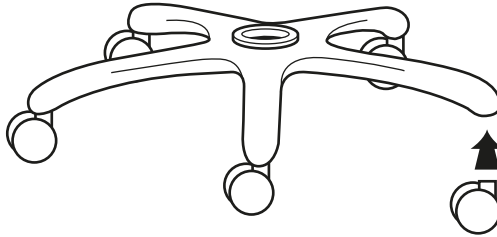
www.jasonl.com.au

Need help!

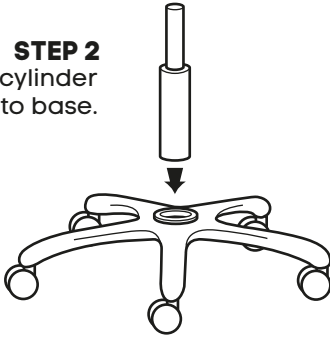
Call us on
1300 527 665

Assembly Guide: Drafting Base Assembly

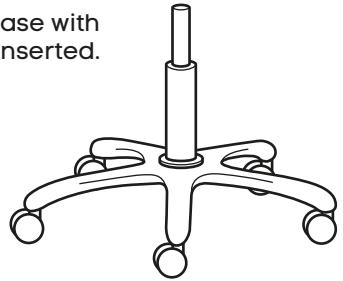
STEP 1
Insert castors
into base.



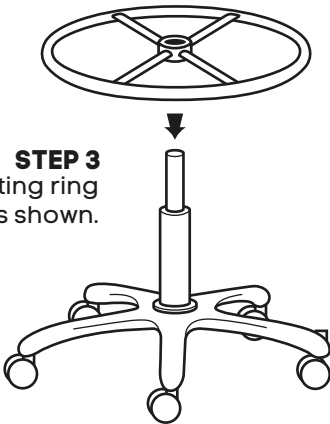
STEP 2
Insert gas cylinder
into base.



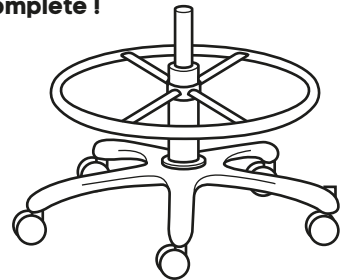
Base with
gas inserted.



STEP 3
Insert drafting ring
over gas as shown.



Base assembly
complete !



www.jasonl.com.au

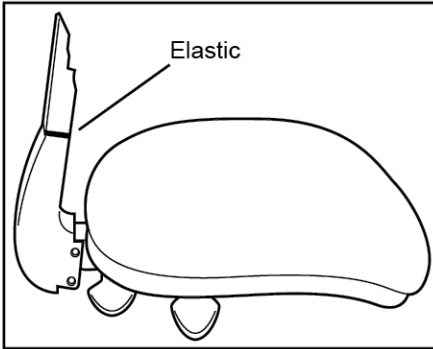
Need help!

Call us on
1300 527 665

Assembly Guide: Back

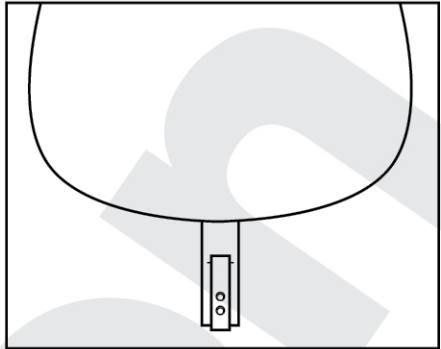
STEP 4

Leave elastic in place. This keeps the two sections of the back bellow in place.



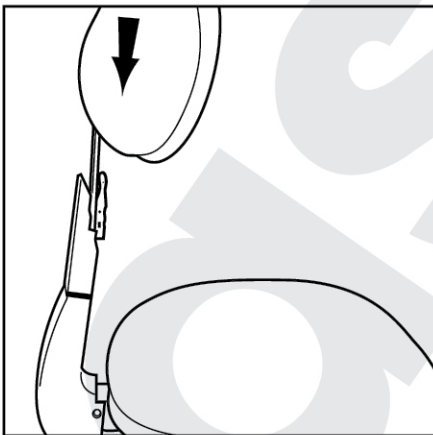
STEP 5

Identify the stem of the chair back.



STEP 6

Insert the stem firmly into mechanism at the back of the seat unit. Push all the way until the back bottoms out. The ratchet height adjustor works like a car head rest. Press all the way down then lift to required position.



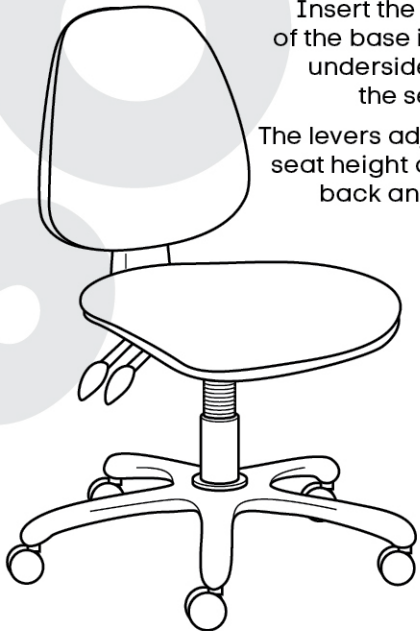
When back is in place, remove elastic band.

**BACK ASSEMBLY
COMPLETE**

STEP 7

Insert the top of the base into underside of the seat.

The levers adjust seat height and back angle.



www.jasonl.com.au


Need help!


Call us on
1300 527 665

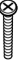
Assembly Guide: Height adjustable arms

PARTS

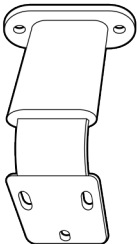
Washers 6x 

Small Screw M6x16mm 4x 

Medium Screw M6x25mm 2x 

Long Screw M6x35mm 4x 

2x Armbrackets
Top



Bottom

2x Armpads
Front

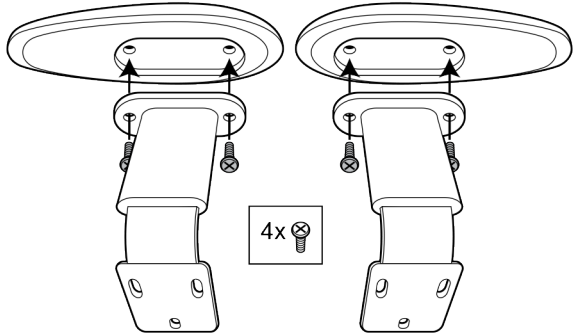


Back

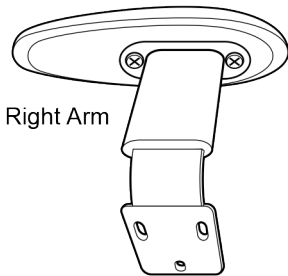
STEP 1

Attach Armbrackets to Armpads using 2x Small Screws for each pairing.

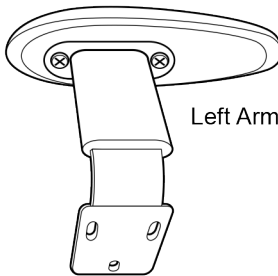
Ensure that the Armpad direction is switched for each arm.



ARM ASSEMBLY COMPLETE



Right Arm

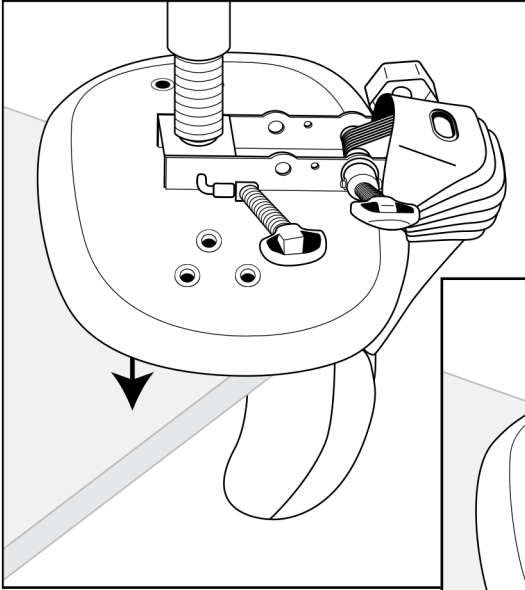


Left Arm

www.jasonl.com.au

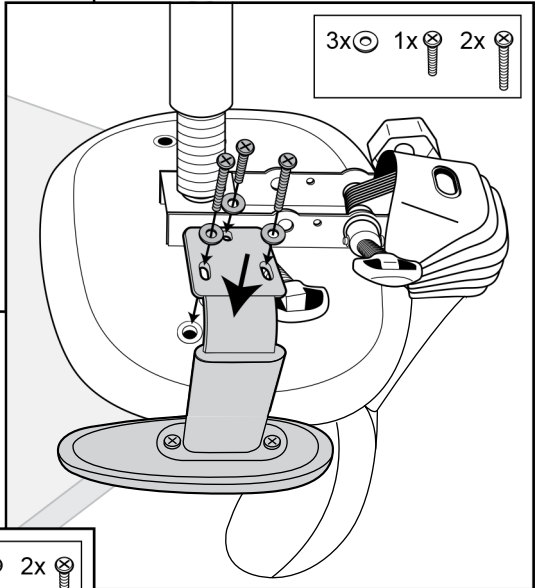
Need help!

Call us on
1300 527 665



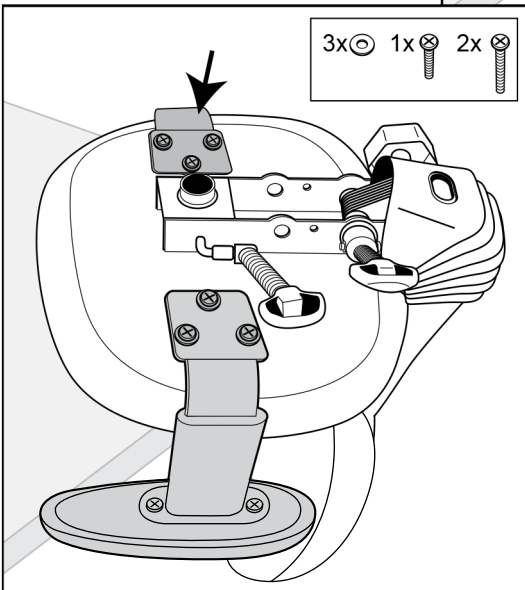
STEP 2

Tip chair upside down.
Rest seat on corner of a table.



STEP 3

Attach Arm to chair using
1x Medium Screw, 2 Long Screws,
and 3x Washers.



STEP 4

Repeat for second arm..

(Note that the seat stem has been removed from the illustration to provide a clearer view.)

ASSEMBLY COMPLETE

www.jasonl.com.au

Need help!

Call us on
1300 527 665