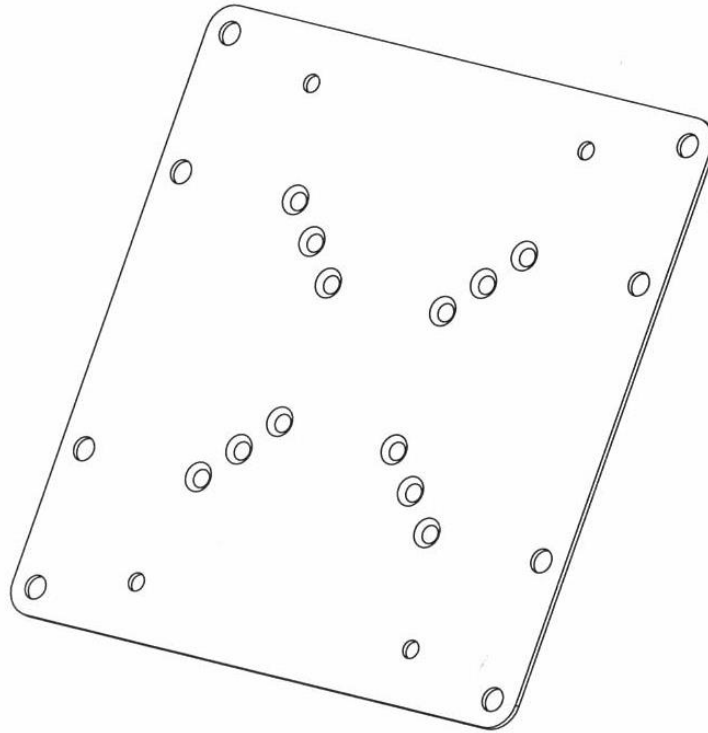
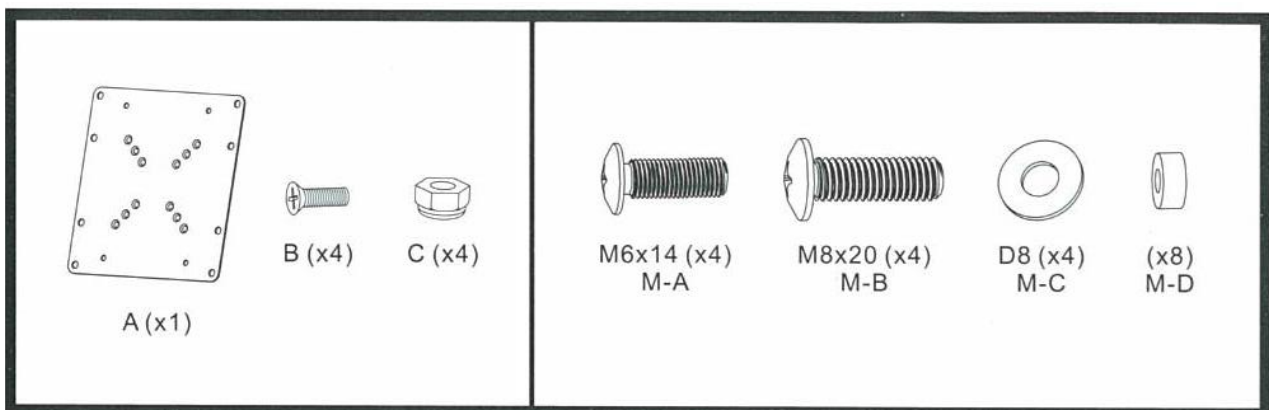


# VESA 200x200 Mount Bracket



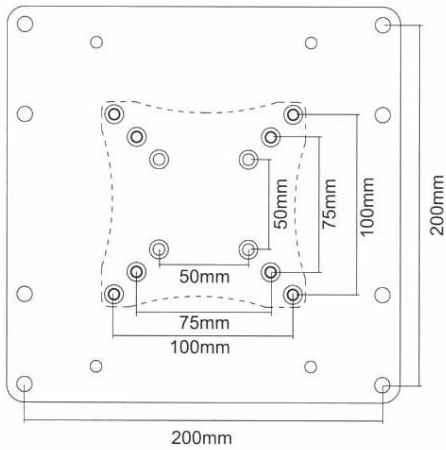
## ASSEMBLY INSTRUCTIONS

### Parts

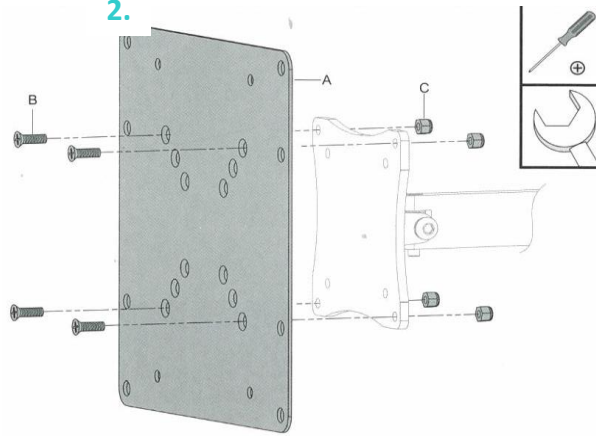


# Assembly Instructions

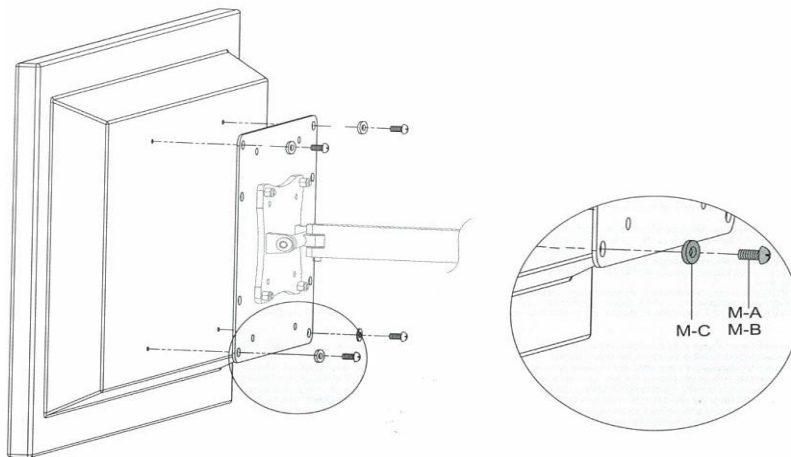
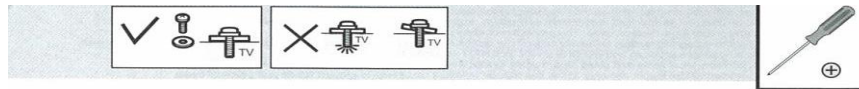
1.



2.



3a.



3b.

