

## 9110 LCD Wall Mount



Made of sturdy cast aluminium by the world's largest dedicated manufacturer of monitor arms, the 9110 LCD Wall Mount is a quality solution for mounting monitors on the wall.

The monitor can be pivoted through 90°, from portrait to landscape, as well as tilted up and down 30°. The monitor is easily positioned with one hand, with no knobs to turn. Compatible with all VESA monitors, the 9110 includes 75 mm and 100 mm VESA mounting plates.



---

**The 9110 LCD Wall Mount is a quality solution for mounting monitors on the wall.**

---

### Capabilities

- Mount depth: 103mm
- Mount width: 37mm
- Mount length: 110mm
- Pivot: -90°, +90°
- Tilt: -30°, +30°
- 75mm/100 VESA mounting pattern compatible
- Supports up to 20kg per monitor
- 3 years warranty

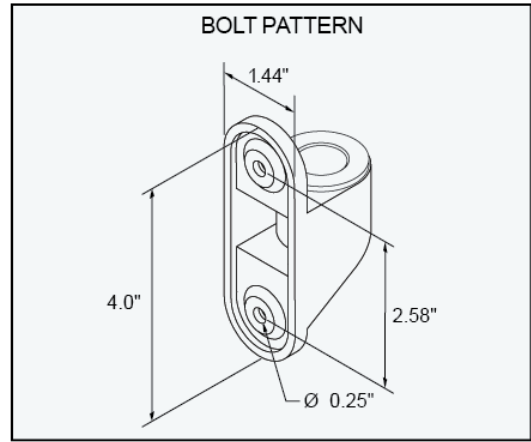
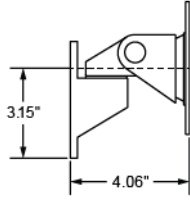
### Options

- Extension arms – 4.5" and 8" (see over)

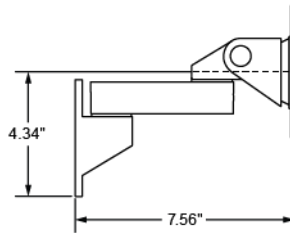


**Extension arm options**

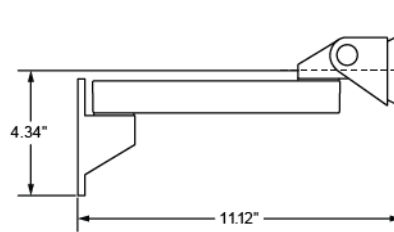
9110-104  
20.5 kg max



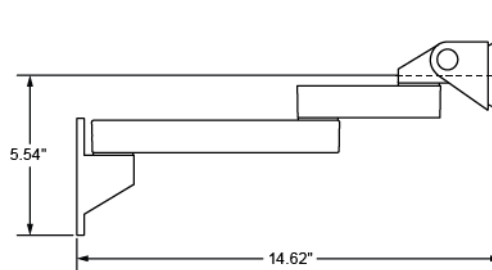
9110-104 plus  
4" extension arm  
17.5 kg max



9110-104 plus  
8.5" extension arm  
13 kg max



9110-104 plus  
4" & 8.5" extension arms  
10 kg max



9110-104 plus  
2 x 8.5" extension arms  
8 kg max

