

Actiflex Range

Static and Dynamic Actiflex II Monitor Arms

A modular system for all working environments





Actiflex II Dynamic Dual



Actiflex II Static Dual

The Actiflex II Modular configuration is designed for optimal accessibility, flexibility, and simplicity. It allows the user to customise their monitor arm experience, with many various configurations available.

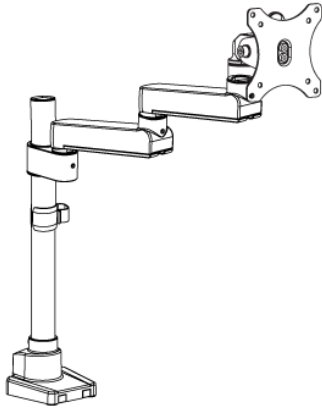
The Actiflex II Modular design is ideal for those who are looking to experience an ergonomic workstation with the flexibility to extend their monitor arm, add monitor arms, or configure monitor arms, based on individual needs. Both our Dynamic and our Static options allow this configuration. The above desk installation is extremely quick and easy to assemble.

Features, such as adding arms (change your single to a dual configuration), converting your clamp mount to a bolt through mount, adding a laptop tray, or combining a dynamic arm with a static arm makes the Actiflex II Modular so flexible.

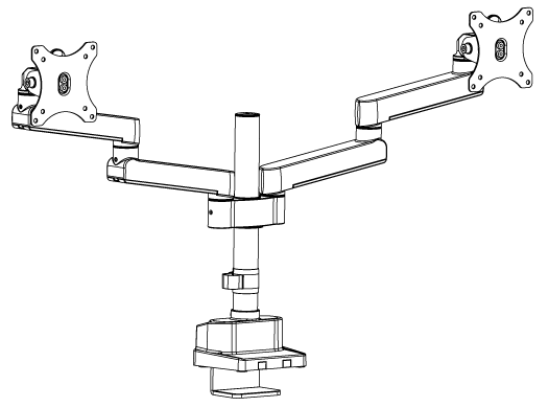
Features:

- Dynamic option offers a Spring articulated arm to "float" the monitor above desktop
- Fingertip adjustment
- Desk-clamp or through-mount included
- Easy above desk installation
- Fully adjustable: 360° rotate, 180° tilt and swivel
- 75mm/100mm VESA mounting pattern compatible
- Quick release VESA brackets for easy monitor mounting
- Integrated cable management
- Supports up to 8kg per monitor
- Suitable for most LCD/LED monitors up to 32" (813mm) size
- Compatible with most curved monitors

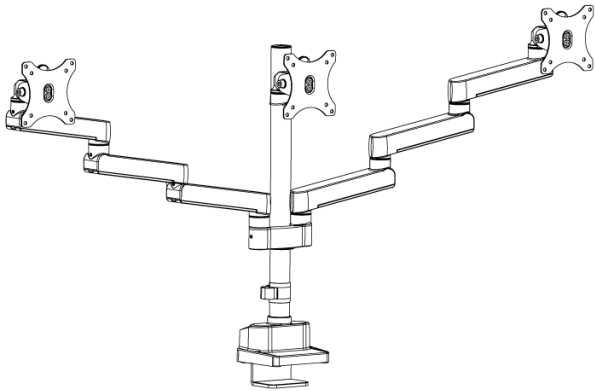
Actiflex II STATIC:



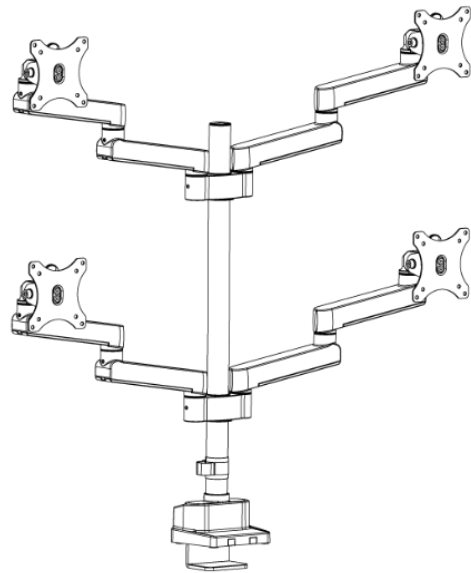
Actiflex II Static Single Monitor Arm



Actiflex II Static Dual Monitor Arm

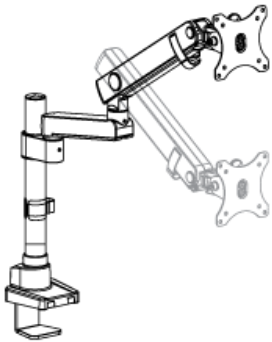


Actiflex II Static Triple Monitor Arm

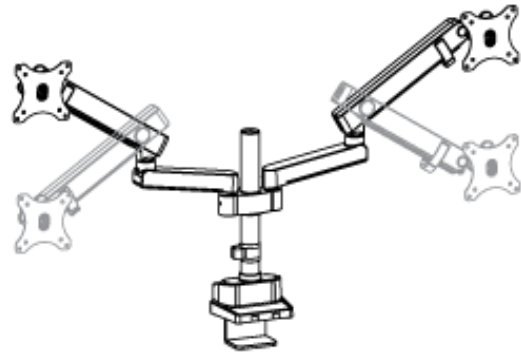


Actiflex II Static Quad Monitor Arm

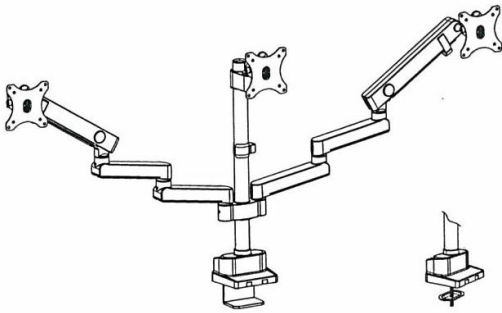
Actiflex II DYNAMIC:



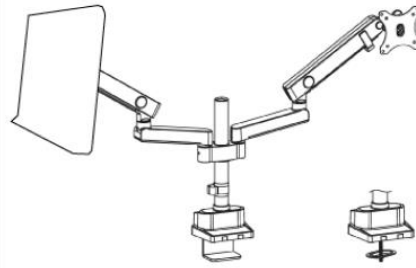
Actiflex II Dynamic Single Monitor Arm



Actiflex II Dynamic Dual Monitor Arm


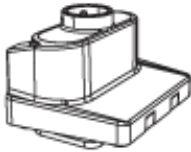
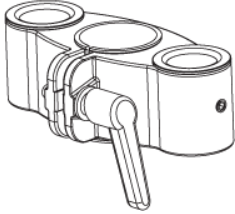
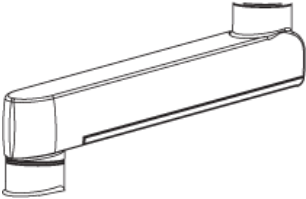
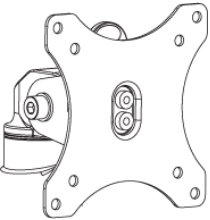
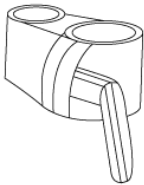




Actiflex II Dynamic Triple Monitor Arm



Actiflex II Dynamic Dual Monitor Arm & Laptop Tray

Parts - Atiflex II modular

| | | | |
|---|---|--|---|
|  |  |  |  |
| <p>Pole 36cm and 50cm <i>(Dynamic / Static)</i></p> | <p>Mount <i>(Dynamic / Static)</i></p> | <p>Dual Connector <i>(Dynamic / Static)</i></p> | <p>Arm Segment <i>(Dynamic / Static)</i></p> |
|  |  |  |  |
| <p>Quick Release Tilter <i>(Static)</i></p> | <p>Single Connector <i>(Dynamic / Static)</i></p> | <p>Dynamic Arm with Quick Release Tilter <i>(Dynamic)</i></p> | <p>Laptop Tray <i>(add on for Dynamic / Static)</i></p> |