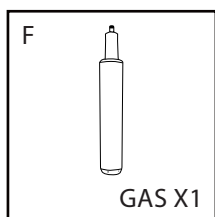
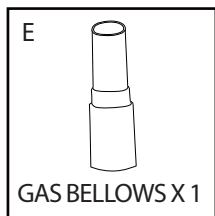
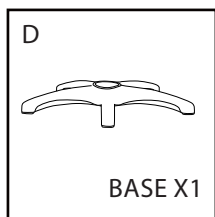
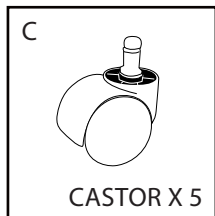
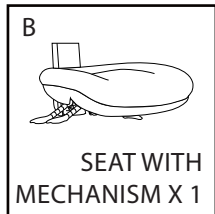
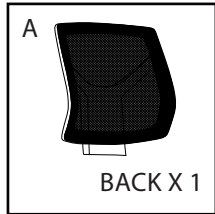


# GALA MESH

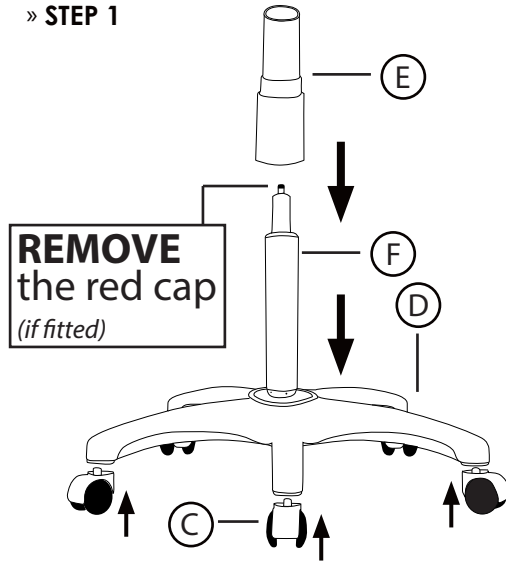
## » ASSEMBLY INSTRUCTIONS

### » PARTS

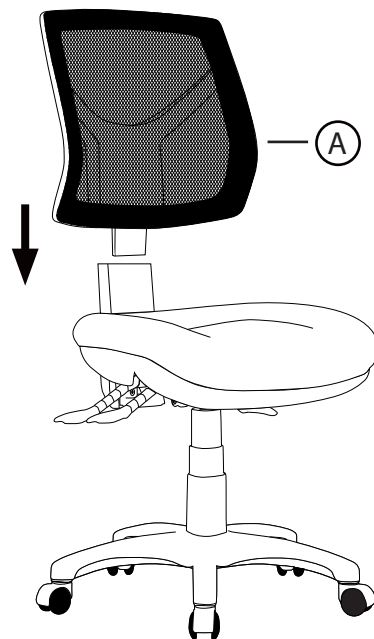


### » STEPS

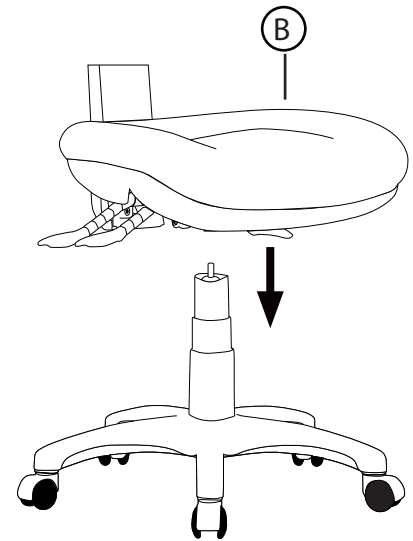
#### » STEP 1



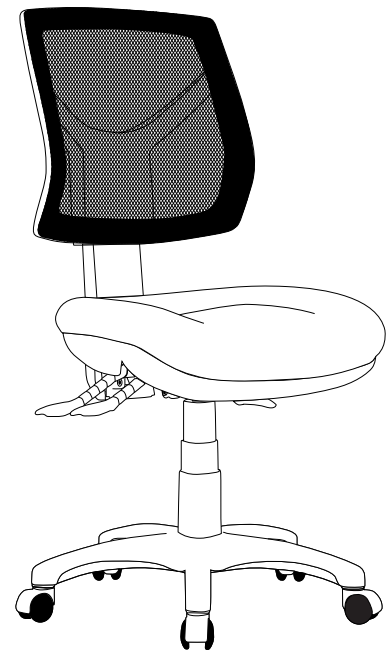
#### » STEP 3



#### » STEP 2



#### » STEP 4

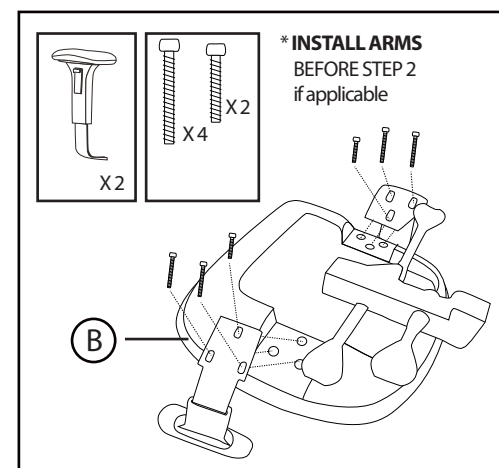


## PREVENTIVE MAINTENANCE AND WARNING

- » **USE** this product only for seating one person at a time.
- » **DO NOT** use this chair as a step stool/ladder.
- » **DO NOT** sit on any part of the chair except the seat.
- » **DO NOT** use chair on uneven floor surfaces.
- » **DO NOT** use chair unless all bolts, screws are tight.  
At least every 6 months check all bolts, screws to be sure they are tight.

IF ANY PARTS ARE MISSING, BROKEN, DAMAGED OR WORN, STOP USE OF THE PRODUCT UNTIL REPAIRS ARE MADE USING FACTORY AUTHORIZED PARTS.

FAILURE TO FOLLOW THESE WARNINGS COULD RESULT IN SERIOUS INJURY.



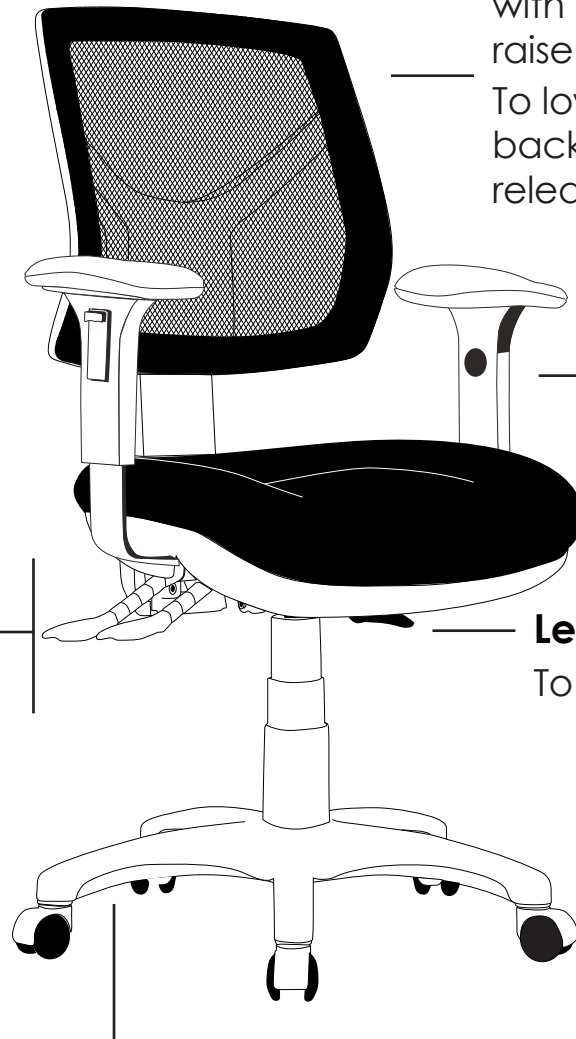
» **INSTRUCTIONS OF USE**



**X** Do not use as a step ladder  
Indoor use only

To adjust back height hold back with two hands while seated and raise to desired height

To lower the back height raise back all the way to the top and release slowly



**Optional Adjustable Arms**

**Right Back Lever**  
To adjust back angle  
**Right Front Lever**  
To adjust seat height

**Left Lever**  
To adjust seat angle

**Five-star Base and Castors**  
Use soft tyred castors for tiles  
Use hard tyred castors for carpet

- » Vacuum regular
- » Regularly adjust mechanism angle
- » Regularly adjust gas height
- » All warranty claims to be forwarded to place of purchase
- » Warranty covers components and workmanship only
- » Damage or wear and tear not covered by warranty
- » Misuse or abuse will not be covered under warranty