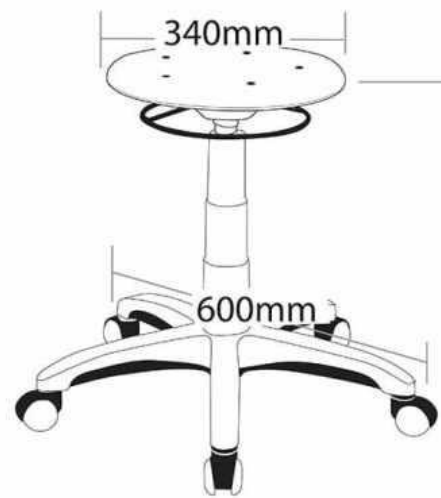


Flat PU Stool Ring



A steady stool equipped with a durable polyurethane seat. An easy to reach, convenient ring lever mechanism allowing height adjustment.

The Flat PU Stool comes with an inverse gas lift cover, to help protect against dust build-up. It is an ideal fit for industrial environments.



A steady and durable stool with a polyurethane seat and a ring lever adjustment mechanism.

Capabilities

- Seat pan diameter = 340mm
- Seat height = 450-650mm
- 120kg weight limit
- Minor assembly required

Features

- Ring lever mechanism for height adjustment
- Black nylon star base
- Hard castors for carpet flooring
- Adjustable seat height

Options

- Soft castors for hard floors
- Glides- feet to keep stool stationary
- Extended warranty