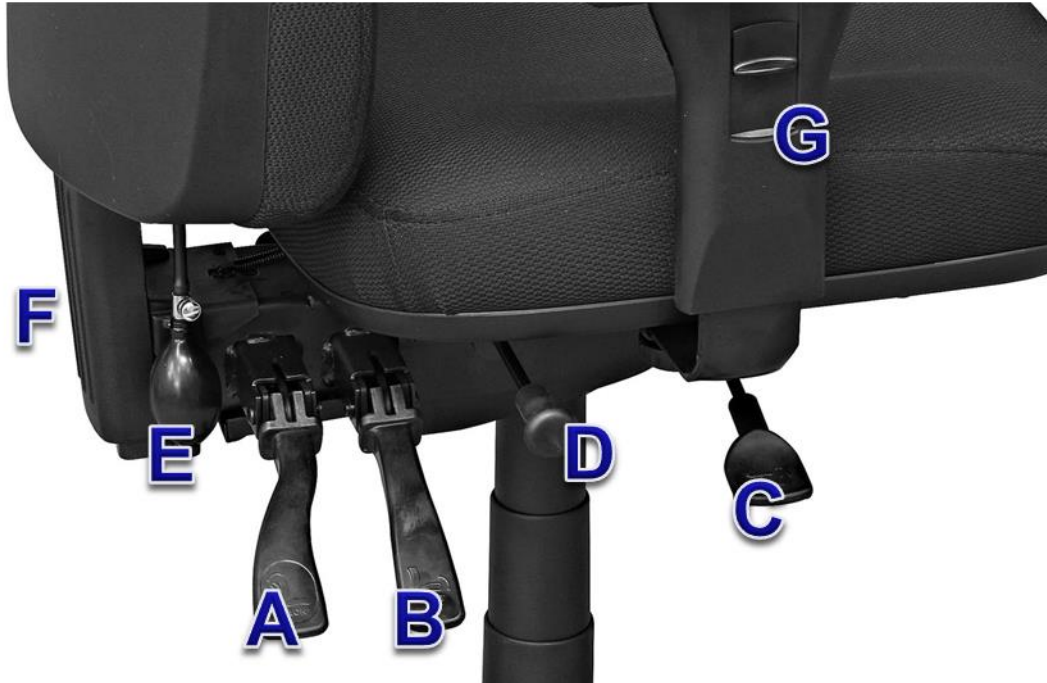


Omega Spark

Operating Instructions



A – Backrest tilt

Adjust the angle of the backrest in relation to the seat-pan. Pull lever up to adjust, push lever down to lock.

B – Seat pan tilt

Adjust the angle of the seat pan. Pull lever up to adjust, push lever down to lock.

C – Seat pan height

Adjust the height of the seat pan. Pull lever up with weight on chair to reduce height, remove weight from seat and pull lever up to raise height.

D – Seat pan slide

Adjust the seat pan. Pull lever out and slide chair forward or backwards to desired position.

E – Lumbar support

Adjust the prominence of the lumbar support. Squeeze the pump to increase the lumbar support. Turn the silver release valve to reduce the lumbar support.

F – Backrest height

Adjust the height of the backrest. Lift the back rest up to increase the height. Push the backrest down to reduce the height.

G – Armrests (optional)

Adjust the height and width of the armrests. Push to lever to adjust the armrests up and down.